

Surge protection device - MT-RS485 - 2762265

Please be informed that the data shown in this PDF Document is generated from our Online Catalog. Please find the complete data in the user's documentation. Our General Terms of Use for Downloads are valid (<http://phoenixcontact.com/download>)



Rail-mountable module with surge voltage coarse and fine protection for RS-485 interface, for mounting on NS 35/7.5, housing width: 50 mm



Key Commercial Data

Packing unit	1 pc
GTIN	 4 017918 064945
GTIN	4017918064945
Weight per Piece (excluding packing)	117.720 g
Custom tariff number	85363010
Country of origin	Germany

Technical data

Dimensions

Height	77.5 mm
Width	47.6 mm
Depth	54.9 mm

Ambient conditions

Ambient temperature (operation)	-40 °C ... 60 °C
Degree of protection	IP20

General

Color	black
Mounting type	DIN rail: 35 mm
Type	DIN rail module, one-piece

Surge protection device - MT-RS485 - 2762265

Technical data

General

Direction of action	Line-Line & Line-Signal Ground/Shield & Signal Ground/Shield-Earth Ground
---------------------	---

Protective circuit

IEC test classification	C2
	C3
	D1
VDE requirement class	C2
	C3
	D1
Maximum continuous voltage U_C	12 V DC
Rated current	450 mA (25 °C)
Operating effective current I_C at U_C	$\leq 10 \mu\text{A}$
Nominal discharge current I_n (8/20) μs (line-line)	10 kA
Nominal discharge current I_n (8/20) μs (line-earth)	10 kA
Pulse discharge current I_{imp} (10/350) μs	500 A
Output voltage limitation at 1 kV/ μs (line-line) spike	$\leq 22 \text{ V}$
Output voltage limitation at 1 kV/ μs (line-earth) spike	$\leq 600 \text{ V}$
Output voltage limitation at 1 kV/ μs (line-line) static	$\leq 22 \text{ V}$
Output voltage limitation at 1 kV/ μs (line-earth) static	$\leq 600 \text{ V}$
Output voltage limitation at 1 kV/ μs (line-signalground) static	$\leq 22 \text{ V}$
Residual voltage at I_n (line-line)	$\leq 19 \text{ V}$
Residual voltage at I_n (line-signalground)	$\leq 19 \text{ V}$
Voltage protection level U_p (line-line)	$\leq 22 \text{ V}$
Voltage protection level U_p (line-earth)	$\leq 600 \text{ V}$
Voltage protection level U_p (line-signalground)	$\leq 22 \text{ V}$
Response time t_A (line-line)	1 ns
Response time t_A (line-signalground)	$\leq 1 \text{ ns}$
Response time t_A (line-earth)	$\leq 100 \text{ ns}$
	$\leq 0.1 \text{ dB}$ (up to 10 kHz)
Input attenuation aE, asym.	0.8 dB (up to 0.1 MHz 50 Ω system)
	0.1 dB (up to 10 kHz 600 Ω system)
Cut-off frequency f_g (3 dB), asym. (GND) in 50 Ohm system	1.3 MHz
Cut-off frequency f_g (3 dB), asym. (GND) in 600 Ohm system	130 kHz
Resistance in series	4.4 Ω
Surge protection fault message	none

Connection data

Surge protection device - MT-RS485 - 2762265

Technical data

Connection data

Connection method	Screw connection
Connection method IN	Screw terminal blocks
Connection method OUT	Screw terminal blocks
Screw thread	M3
Stripping length	8 mm
Conductor cross section flexible	0.2 mm ² ... 2.5 mm ²
Conductor cross section solid	0.2 mm ² ... 4 mm ²
Conductor cross section AWG	24 ... 12

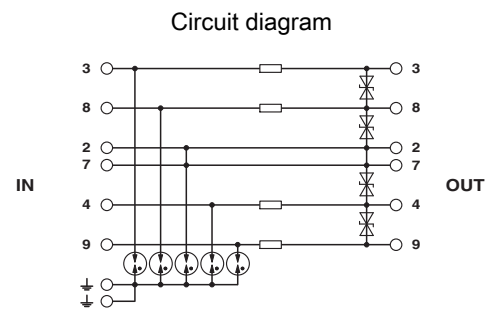
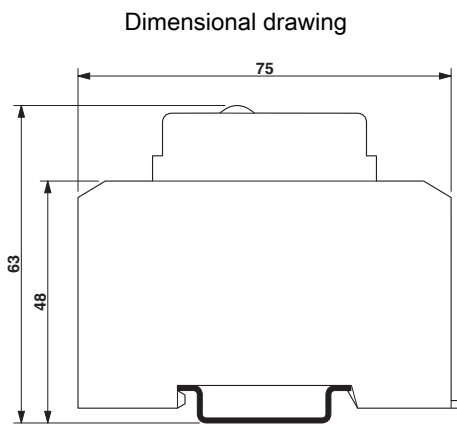
Standards and Regulations

Standards/regulations	IEC 61643-21
-----------------------	--------------

Environmental Product Compliance

REACH SVHC	Lead 7439-92-1
------------	----------------

Drawings



Classifications

eCl@ss

eCl@ss 4.0	27140201
eCl@ss 4.1	27130801
eCl@ss 5.0	27130801
eCl@ss 5.1	27130800
eCl@ss 6.0	27130800
eCl@ss 7.0	27130807
eCl@ss 8.0	27130807

Surge protection device - MT-RS485 - 2762265

Classifications

eCl@ss

eCl@ss 9.0	27130807
------------	----------

ETIM

ETIM 2.0	EC000943
ETIM 3.0	EC000943
ETIM 4.0	EC000943
ETIM 5.0	EC000943
ETIM 6.0	EC000943

UNSPSC

UNSPSC 6.01	30212010
UNSPSC 7.0901	39121610
UNSPSC 11	39121610
UNSPSC 12.01	39121610
UNSPSC 13.2	39121620

Approvals

Approvals

Approvals

EAC / EAC

Ex Approvals

Approval details

EAC		RU C- DE.A*30.B01561
-----	--	-------------------------

EAC		EAC-Zulassung
-----	--	---------------

Accessories

Additional products

Surge protection device - MT-RS485 - 2762265

Accessories

Shield connection - SSA 3-6 - 2839295



Shield fast connection for 3 ... 6 mm cable diameter. Potential connecting cable: 200 mm, 1 mm², color: black

Shield connection - SSA 5-10 - 2839512



Shield fast connection for 5 ... 10 mm cable diameter. Potential connecting cable: 200 mm, 1 mm², color: black
