



Figure similar

SIRIUS soft starter 200-480 V 143 A, 110-250 V AC Spring-loaded terminals Analog output

|   |  |
|---|--|
| <b>product brand name</b>   | SIRIUS   |
| <b>product category</b>   | Hybrid switching devices   |
| <b>product designation</b>  | Soft starter   |
| <b>product type designation</b>   | 3RW50  |
| <b>manufacturer's article number</b>  |  |
| <ul style="list-style-type: none"> <li>• of standard HMI module usable</li> </ul>   | 3RW5980-OHS01  |
| <ul style="list-style-type: none"> <li>• of high feature HMI module usable</li> </ul>   | 3RW5980-OHF00  |
| <ul style="list-style-type: none"> <li>• of communication module PROFINET standard usable</li> </ul>                          | 3RW5980-OCS00  |
| <ul style="list-style-type: none"> <li>• of communication module PROFIBUS usable</li> </ul>                                   | 3RW5980-OCP00  |
| <ul style="list-style-type: none"> <li>• of communication module Modbus TCP usable</li> </ul>                                 | 3RW5980-OCT00  |
| <ul style="list-style-type: none"> <li>• of communication module Modbus RTU usable</li> </ul>                                 | 3RW5980-OCR00  |
| <ul style="list-style-type: none"> <li>• of communication module Ethernet/IP</li> </ul>                                       | 3RW5980-OCE00  |
| <ul style="list-style-type: none"> <li>• of circuit breaker usable at 400 V</li> </ul>  | 3VA2220-7MN32-0AA0; Type of assignment 1, I <sub>q</sub> = 20 kA |
| <ul style="list-style-type: none"> <li>• of circuit breaker usable at 500 V</li> </ul>  | 3VA2220-7MN32-0AA0; Type of assignment 1, I <sub>q</sub> = 20 kA |
| <ul style="list-style-type: none"> <li>• of the gG fuse usable up to 690 V</li> </ul>   | 3NA3244-6; Type of coordination 1, I <sub>q</sub> = 65 kA        |
| <ul style="list-style-type: none"> <li>• of full range R fuse link for semiconductor protection usable up to 690 V</li> </ul> | 3NE1 227-0; Type of coordination 2, I <sub>q</sub> = 65 kA       |
| <ul style="list-style-type: none"> <li>• of back-up R fuse link for semiconductor protection usable up to 690 V</li> </ul>    | 3NE3 334 -0B; Type of coordination 2, I <sub>q</sub> = 65 kA     |
| <ul style="list-style-type: none"> <li>• of line contactor usable up to 480 V</li> </ul>                                      | 3RT1055  |
| <ul style="list-style-type: none"> <li>• of line contactor usable up to 690 V</li> </ul>                                      | 3RT1055  |
| <b>General technical data</b>   |  |
| <b>starting voltage [%]</b>   | 30 ... 100 %   |
| <b>stopping voltage [%]</b>   | 50 ... 50 %  |
| <b>start-up ramp time of soft starter</b>   | 0 ... 20 s   |
| <b>ramp-down time of soft starter</b>   | 0 ... 20 s   |
| <b>current limiting value [%] adjustable</b>  | 130 ... 700 %  |
| <b>accuracy class acc. to IEC 61557-12</b>  | 5 %  |
| <b>certificate of suitability</b>   |  |
| <ul style="list-style-type: none"> <li>• CE marking</li> </ul>  | Yes  |
| <ul style="list-style-type: none"> <li>• UL approval</li> </ul>   | Yes  |
| <ul style="list-style-type: none"> <li>• CSA approval</li> </ul>  | Yes  |
| <b>product component is supported</b>   |  |
| <ul style="list-style-type: none"> <li>• HMI-Standard</li> </ul>  | Yes  |
| <ul style="list-style-type: none"> <li>• HMI-High Feature</li> </ul>  | Yes  |
| <b>product feature integrated bypass contact system</b>   | Yes  |
| <b>number of controlled phases</b>  | 2  |

|   |   |
|---|---|
| <b>trip class</b>   | CLASS 10A / 10E (preset) / 20E; acc. to IEC 60947-4-2                           |
| <b>buffering time in the event of power failure</b>           |   |
| • for main current circuit                                    | 100 ms  |
| • for control circuit   | 100 ms  |
| insulation voltage rated value                                | 600 V   |
| <b>degree of pollution</b>                                    | 3, acc. to IEC 60947-4-2  |
| <b>impulse voltage rated value</b>                            | 6 kV  |
| <b>blocking voltage of the thyristor maximum</b>              | 1 400 V   |
| <b>service factor</b>   | 1   |
| <b>reference code acc. to IEC 81346-2</b>                     | Q   |
| <b>product function</b>                                       |   |
| • ramp-up (soft starting)                                     | Yes   |
| • ramp-down (soft stop)                                       | Yes   |
| • Soft Torque   | Yes   |
| • adjustable current limitation                               | Yes   |
| • pump ramp down  | Yes   |
| • intrinsic device protection                                 | Yes   |
| • motor overload protection                                   | Yes; Electronic motor overload protection                                       |
| • evaluation of thermistor motor protection                   | No  |
| • auto-RESET  | Yes   |
| • manual RESET  | Yes   |
| • remote reset  | Yes; By turning off the control supply voltage                                  |
| • communication function                                      | Yes   |
| • operating measured value display                            | Yes; Only in conjunction with special accessories                               |
| • error logbook   | Yes; Only in conjunction with special accessories                               |
| • via software parameterizable                                | No  |
| • via software configurable                                   | Yes   |
| • <b>PROFInergy</b>   | Yes; in connection with the PROFINET Standard communication module              |
| • voltage ramp  | Yes   |
| • torque control  | No  |
| • analog output   | Yes; 4 ... 20 mA (default) / 0 ... 10 V (parameterizable with High Feature HMI) |
| <b>Power Electronics</b>                                      |   |
| <b>operational current</b>                                    |   |
| • at 40 °C rated value  | 143 A   |
| • at 50 °C rated value  | 128 A   |
| • at 60 °C rated value  | 118 A   |
| <b>operating voltage</b>                                      |   |
| • rated value   | 200 ... 480 V   |
| <b>relative negative tolerance of the operating voltage</b>   | -15 %   |
| <b>relative positive tolerance of the operating voltage</b>   | 10 %  |
| <b>operating power for 3-phase motors</b>                     |   |
| • at 230 V at 40 °C rated value                               | 37 kW   |
| • at 400 V at 40 °C rated value                               | 75 kW   |
| <b>Operating frequency 1 rated value</b>                      | 50 Hz   |
| <b>Operating frequency 2 rated value</b>                      | 60 Hz   |
| <b>relative negative tolerance of the operating frequency</b> | -10 %   |
| <b>relative positive tolerance of the operating frequency</b> | 10 %  |
| <b>adjustable motor current</b>                               |   |
| • at rotary coding switch on switch position 1                | 68 A  |
| • at rotary coding switch on switch position 2                | 73 A  |
| • at rotary coding switch on switch position 3                | 78 A  |
| • at rotary coding switch on switch position 4                | 83 A  |
| • at rotary coding switch on switch position 5                | 88 A  |
| • at rotary coding switch on switch position 6                | 93 A  |
| • at rotary coding switch on switch position 7                | 98 A  |
| • at rotary coding switch on switch position 8                | 103 A   |
| • at rotary coding switch on switch position 9                | 108 A   |

|  |  |
|--|--|
| <ul style="list-style-type: none"> <li>• at rotary coding switch on switch position 10</li> <li>• at rotary coding switch on switch position 11</li> <li>• at rotary coding switch on switch position 12</li> <li>• at rotary coding switch on switch position 13</li> <li>• at rotary coding switch on switch position 14</li> <li>• at rotary coding switch on switch position 15</li> <li>• at rotary coding switch on switch position 16</li> <li>• minimum</li> </ul> | 113 A<br>118 A<br>123 A<br>128 A<br>133 A<br>138 A<br>143 A<br>68 A  |
| <b>minimum load [%]</b>  | 15 %; Relative to smallest settable le   |
| <b>power loss [W] for rated value of the current at AC</b> <ul style="list-style-type: none"> <li>• at 40 °C after startup</li> <li>• at 50 °C after startup</li> <li>• at 60 °C after startup</li> </ul>  | 23 W<br>19 W<br>16 W   |
| <b>power loss [W] at AC at current limitation 350 %</b> <ul style="list-style-type: none"> <li>• at 40 °C during startup</li> <li>• at 50 °C during startup</li> <li>• at 60 °C during startup</li> </ul>  | 1 336 W<br>1 134 W<br>1 007 W  |
| <b>type of the motor protection</b>  | Electronic, tripping in the event of thermal overload of the motor   |
| <b>Control circuit/ Control</b>  |  |
| <b>type of voltage of the control supply voltage</b> <ul style="list-style-type: none"> <li>• control supply voltage at AC at 50 Hz</li> <li>• control supply voltage at AC at 60 Hz</li> </ul>  | AC<br>110 ... 250 V<br>110 ... 250 V   |
| <b>relative negative tolerance of the control supply voltage at AC at 50 Hz</b>  | -15 %  |
| <b>relative positive tolerance of the control supply voltage at AC at 50 Hz</b>  | 10 %   |
| <b>relative negative tolerance of the control supply voltage at AC at 60 Hz</b>  | -15 %  |
| <b>relative positive tolerance of the control supply voltage at AC at 60 Hz</b>  | 10 %   |
| <b>control supply voltage frequency</b>  | 50 ... 60 Hz   |
| <b>relative negative tolerance of the control supply voltage frequency</b>   | -10 %  |
| <b>relative positive tolerance of the control supply voltage frequency</b>   | 10 %   |
| <b>control supply current in standby mode rated value</b>  | 30 mA  |
| <b>holding current in bypass operation rated value</b>   | 80 mA  |
| <b>locked-rotor current at close of bypass contact maximum</b>   | 2.5 A  |
| <b>inrush current peak at application of control supply voltage maximum</b>  | 12.2 A   |
| <b>duration of inrush current peak at application of control supply voltage</b>  | 2.2 ms   |
| <b>design of the overvoltage protection</b>  | Varistor   |
| <b>design of short-circuit protection for control circuit</b>  | 4 A gG fuse (I <sub>cu</sub> =1 kA), 6 A quick-acting fuse (I <sub>cu</sub> =1 kA), C1 miniature circuit breaker (I <sub>cu</sub> = 600 A), C6 miniature circuit breaker (I <sub>cu</sub> = 300 A); Is not part of scope of supply |
| <b>Inputs/ Outputs</b>   |  |
| <b>number of digital inputs</b>  | 1  |
| <b>number of inputs for thermistor connection</b>  | 0  |
| <b>number of digital outputs</b> <ul style="list-style-type: none"> <li>• not parameterizable</li> </ul>   | 3<br>2   |
| <b>digital output version</b>  | 2 normally-open contacts (NO) / 1 changeover contact (CO)  |
| <b>number of analog outputs</b>  | 1  |
| <b>Installation/ mounting/ dimensions</b>  |  |
| <b>mounting position</b>   | with vertical mounting surface +/-90° rotatable, with vertical mounting surface +/- 22.5° tiltable to the front and back   |
| <b>fastening method</b>  | screw fixing   |
| <b>height</b>  | 198 mm   |
| <b>width</b>   | 120 mm   |
| <b>depth</b>   | 249 mm   |

|   |   |
|---|---|
| required spacing with side-by-side mounting   |   |
| <ul style="list-style-type: none"> <li>• forwards</li> <li>• backwards</li> <li>• upwards</li> <li>• downwards</li> <li>• at the side</li> </ul>                  | 10 mm<br>0 mm<br>100 mm<br>75 mm<br>5 mm            |
| <b>weight without packaging</b>   | 3.2 kg  |
| <b>Connections/ Terminals</b>   |   |
| <b>type of electrical connection</b>  |   |
| <ul style="list-style-type: none"> <li>• for main current circuit</li> <li>• for control circuit</li> </ul>   | busbar connection<br>spring-loaded terminals        |
| <b>width of connection bar maximum</b>  | 25 mm   |
| <b>type of connectable conductor cross-sections</b>   |   |
| <ul style="list-style-type: none"> <li>• for main contacts for box terminal using the front clamping point solid</li> </ul>                                       | 16 ... 120 mm <sup>2</sup>                          |
| <ul style="list-style-type: none"> <li>• for main contacts for box terminal using the front clamping point finely stranded with core end processing</li> </ul>    | 16 ... 120 mm <sup>2</sup>                          |
| <ul style="list-style-type: none"> <li>• for main contacts for box terminal using the front clamping point finely stranded without core end processing</li> </ul> | 10 ... 120 mm <sup>2</sup>                          |
| <ul style="list-style-type: none"> <li>• for main contacts for box terminal using the front clamping point stranded</li> </ul>                                    | 16 ... 70 mm <sup>2</sup>                           |
| <ul style="list-style-type: none"> <li>• at AWG cables for main contacts for box terminal using the front clamping point</li> </ul>                               | 6 ... 250 kcmil                                     |
| <ul style="list-style-type: none"> <li>• for main contacts for box terminal using the back clamping point solid</li> </ul>  | 16 ... 120 mm <sup>2</sup>                          |
| <ul style="list-style-type: none"> <li>• at AWG cables for main contacts for box terminal using the back clamping point</li> </ul>                                | 6 ... 250 kcmil                                     |
| <ul style="list-style-type: none"> <li>• for main contacts for box terminal using both clamping points solid</li> </ul>   | max. 1x 95 mm <sup>2</sup> , 1x 120 mm <sup>2</sup> |
| <ul style="list-style-type: none"> <li>• for main contacts for box terminal using both clamping points finely stranded with core end processing</li> </ul>        | max. 1x 95 mm <sup>2</sup> , 1x 120 mm <sup>2</sup> |
| <ul style="list-style-type: none"> <li>• for main contacts for box terminal using both clamping points finely stranded without core end processing</li> </ul>     | max. 1x 95 mm <sup>2</sup> , 1x 120 mm <sup>2</sup> |
| <ul style="list-style-type: none"> <li>• for main contacts for box terminal using both clamping points stranded</li> </ul>  | max. 2x 120 mm <sup>2</sup>                         |
| <ul style="list-style-type: none"> <li>• for main contacts for box terminal using the back clamping point finely stranded with core end processing</li> </ul>     | 16 ... 120 mm <sup>2</sup>                          |
| <ul style="list-style-type: none"> <li>• for main contacts for box terminal using the back clamping point finely stranded without core end processing</li> </ul>  | 10 ... 120 mm <sup>2</sup>                          |
| <ul style="list-style-type: none"> <li>• for main contacts for box terminal using the back clamping point stranded</li> </ul>                                     | 16 ... 120 mm <sup>2</sup>                          |
| <b>type of connectable conductor cross-sections</b>   |   |
| <ul style="list-style-type: none"> <li>• at AWG cables for main current circuit solid</li> </ul>  | 4 ... 250 kcmil                                     |
| <ul style="list-style-type: none"> <li>• for DIN cable lug for main contacts stranded</li> </ul>  | 16 ... 95 mm <sup>2</sup>                           |
| <ul style="list-style-type: none"> <li>• for DIN cable lug for main contacts finely stranded</li> </ul>   | 25 ... 120 mm <sup>2</sup>                          |
| <b>type of connectable conductor cross-sections</b>   |   |
| <ul style="list-style-type: none"> <li>• for control circuit solid</li> </ul>   | 2x (0.25 ... 1.5 mm <sup>2</sup> )                  |
| <ul style="list-style-type: none"> <li>• for control circuit finely stranded with core end processing</li> </ul>  | 2x (0.25 ... 1.5 mm <sup>2</sup> )                  |
| <ul style="list-style-type: none"> <li>• at AWG cables for control circuit solid</li> </ul>   | 2x (24 ... 16)                                      |
| <ul style="list-style-type: none"> <li>• at AWG cables for control circuit finely stranded with core end processing</li> </ul>                                    | 2x (24 ... 16)                                      |
| <b>wire length</b>  |   |
| <ul style="list-style-type: none"> <li>• between soft starter and motor maximum</li> </ul>  | 800 m   |
| <ul style="list-style-type: none"> <li>• at the digital inputs at AC maximum</li> </ul>   | 1 000 m   |
| <b>tightening torque</b>  |   |
| <ul style="list-style-type: none"> <li>• for main contacts with screw-type terminals</li> </ul>   | 10 ... 14 N·m                                       |

|   |   |
|---|---|
| <ul style="list-style-type: none"> <li>for auxiliary and control contacts with screw-type terminals</li> </ul>  | 0.8 ... 1.2 N·m   |
| <b>tightening torque [lbf·in]</b> <ul style="list-style-type: none"> <li>for main contacts with screw-type terminals</li> <li>for auxiliary and control contacts with screw-type terminals</li> </ul>   | 89 ... 124 lbf·in<br>7 ... 10.3 lbf·in  |
| <b>Ambient conditions</b>   |   |
| installation altitude at height above sea level maximum   | 5 000 m; Derating as of 1000 m, see manual  |
| <ul style="list-style-type: none"> <li>ambient temperature during operation</li> <li>ambient temperature during storage and transport</li> </ul>  | -25 ... +60 °C; Please observe derating at temperatures of 40 °C or above<br>-40 ... +80 °C   |
| <b>environmental category</b> <ul style="list-style-type: none"> <li>during operation acc. to IEC 60721</li> <li>during storage acc. to IEC 60721</li> <li>during transport acc. to IEC 60721</li> </ul>  | 3K6 (no ice formation, only occasional condensation), 3C3 (no salt mist), 3S2 (sand must not get into the devices), 3M6<br>1K6 (only occasional condensation), 1C2 (no salt mist), 1S2 (sand must not get inside the devices), 1M4<br>2K2, 2C1, 2S1, 2M2 (max. fall height 0.3 m) |
| <b>EMC emitted interference</b>   | acc. to IEC 60947-4-2: Class A  |
| <b>Communication/ Protocol</b>  |   |
| <b>communication module is supported</b> <ul style="list-style-type: none"> <li>PROFINET standard</li> <li>EtherNet/IP</li> <li>Modbus RTU</li> <li>Modbus TCP</li> <li>PROFIBUS</li> </ul>   | Yes<br>Yes<br>Yes<br>Yes<br>Yes   |
| <b>UL/CSA ratings</b>   |   |
| <b>manufacturer's article number</b> <ul style="list-style-type: none"> <li><b>of circuit breaker</b> <ul style="list-style-type: none"> <li>usable for Standard Faults at 460/480 V according to UL</li> </ul> </li> <li><b>of the fuse</b> <ul style="list-style-type: none"> <li>usable for Standard Faults up to 575/600 V according to UL</li> <li>usable for High Faults up to 575/600 V according to UL</li> </ul> </li> </ul> | Siemens type: 3VA5225, max. 250 A; I <sub>q</sub> = 10 kA<br><br>Type: Class RK5 / K5, max. 350 A; I <sub>q</sub> = 10 kA<br><br>Type: Class J, max. 350 A; I <sub>q</sub> = 100 kA   |
| <b>operating power [hp] for 3-phase motors</b> <ul style="list-style-type: none"> <li>at 200/208 V at 50 °C rated value</li> <li>at 220/230 V at 50 °C rated value</li> <li>at 460/480 V at 50 °C rated value</li> </ul>  | 40 hp<br>40 hp<br>100 hp  |
| <b>Safety related data</b>  |   |
| <b>protection class IP on the front acc. to IEC 60529</b>   | IP00; IP20 with cover   |
| <b>touch protection on the front acc. to IEC 60529</b>  | finger-safe, for vertical contact from the front with cover   |
| <b>ATEX</b>   |   |
| <b>certificate of suitability</b> <ul style="list-style-type: none"> <li>ATEX</li> <li>IECEx</li> </ul>   | Yes<br>Yes  |
| <b>hardware fault tolerance acc. to IEC 61508 relating to ATEX</b>  | 0   |
| <b>PF<sub>Davg</sub> with low demand rate acc. to IEC 61508 relating to ATEX</b>  | 0.09  |
| <b>PF<sub>HD</sub> with high demand rate acc. to EN 62061 relating to ATEX</b>  | 0.000009 1/h  |
| <b>Safety Integrity Level (SIL) acc. to IEC 61508 relating to ATEX</b>  | SIL1  |
| <b>T1 value for proof test interval or service life acc. to IEC 61508 relating to ATEX</b>  | 3 y   |
| <b>Certificates/ approvals</b>  |   |
| <b>General Product Approval</b>   | <b>For use in hazardous locations</b>   |



Declaration of Conformity

Test Certificates

other

[Miscellaneous](#)



[Type Test Certificates/Test Report](#)

[Type Test Certificates/Test Report](#)

[Confirmation](#)

[Confirmation](#)

#### Further information

Information- and Downloadcenter (Catalogs, Brochures,...)

<https://www.siemens.com/ic10>

Industry Mall (Online ordering system)

<https://mall.industry.siemens.com/mall/en/en/Catalog/product?mlfb=3RW5055-2AB14>

Cax online generator

<http://support.automation.siemens.com/WW/CAXorder/default.aspx?lang=en&mlfb=3RW5055-2AB14>

Service&Support (Manuals, Certificates, Characteristics, FAQs,...)

<https://support.industry.siemens.com/cs/ww/en/ps/3RW5055-2AB14>

Image database (product images, 2D dimension drawings, 3D models, device circuit diagrams, EPLAN macros, ...)

[http://www.automation.siemens.com/bilddb/cax\\_de.aspx?mlfb=3RW5055-2AB14&lang=en](http://www.automation.siemens.com/bilddb/cax_de.aspx?mlfb=3RW5055-2AB14&lang=en)

Characteristic: Tripping characteristics, I<sup>t</sup>, Let-through current

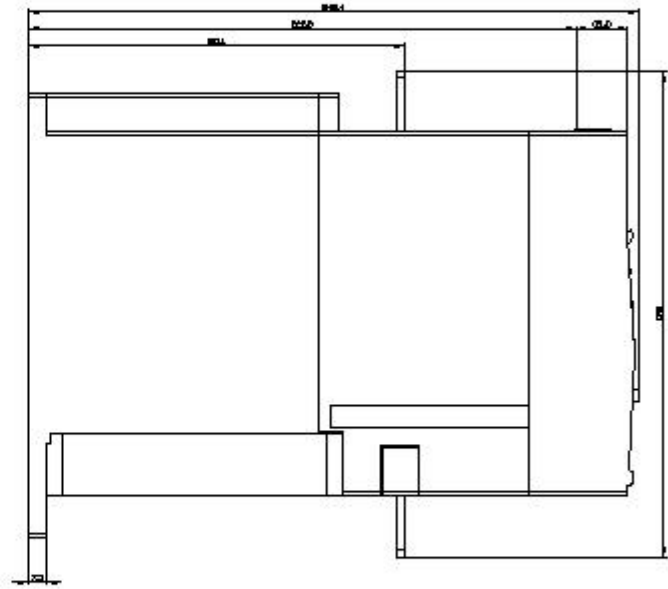
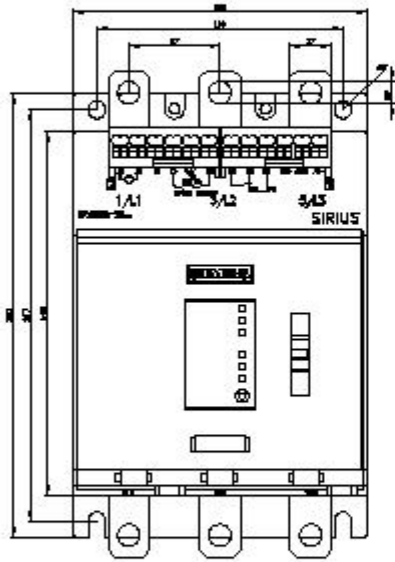
<https://support.industry.siemens.com/cs/ww/en/ps/3RW5055-2AB14/char>

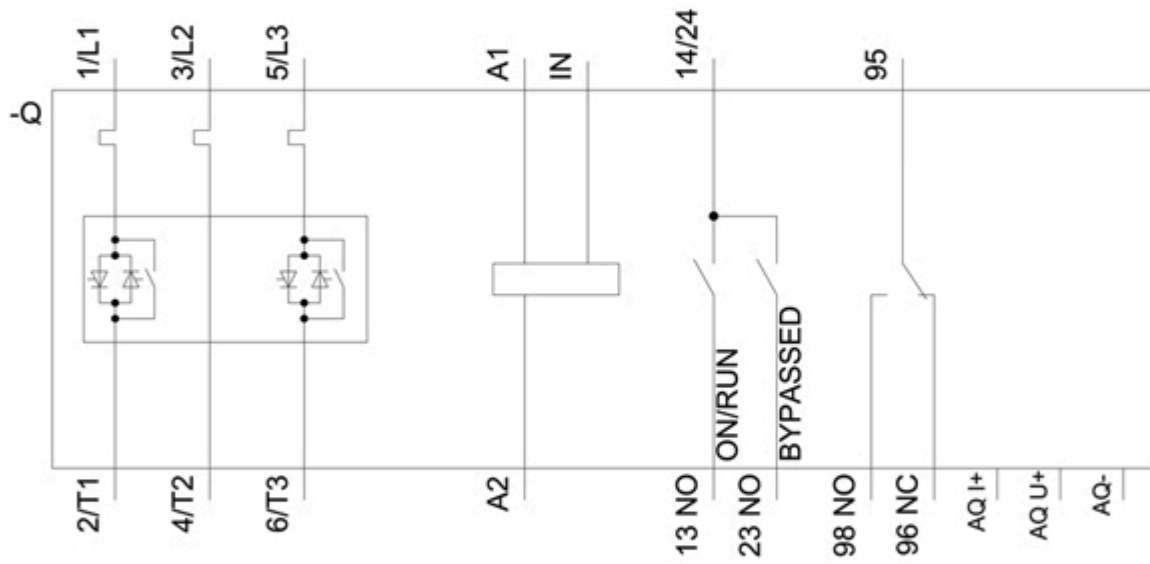
Characteristic: Installation altitude

<http://www.automation.siemens.com/bilddb/index.aspx?view=Search&mlfb=3RW5055-2AB14&objecttype=14&gridview=view1>

Simulation Tool for Soft Starters (STS)

<https://support.industry.siemens.com/cs/ww/en/view/101494917>





last modified:

12/15/2020 