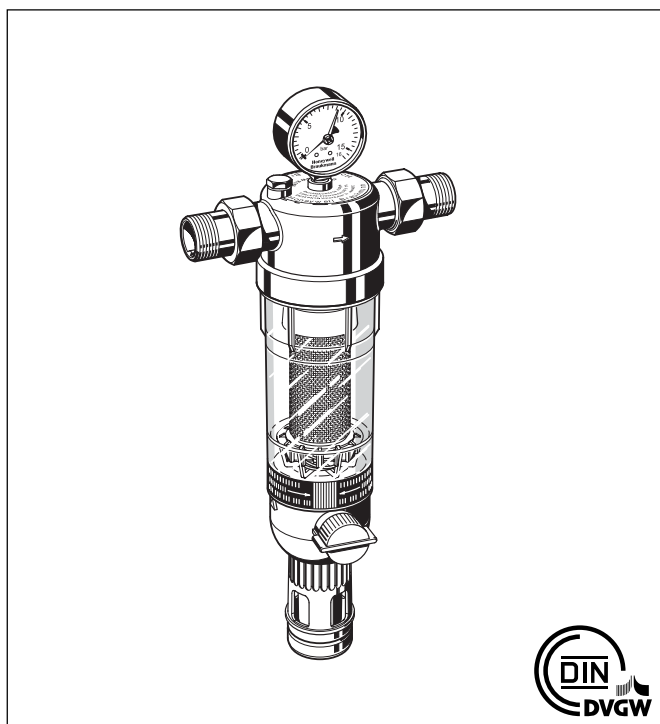


F76S

Reverse rinsing fine filter

Product specification sheet



Construction

The fine filter comprises:

- Housing with pressure gauge
- Threaded male connections (versions AA, AB, AC, AD, AAM and ACM)
- Fine filter in clear filter bowl
- Drain connection with ball valve
- Double wing wrench

Materials

- Housing of dezincification resistant brass
- Brass connectors
- Stainless steel fine filter
- Red-bronze or shock-resistant clear synthetic material filter bowl
- Fibre-reinforced NBR diaphragm
- NBR seals

Application

F76S reverse rinsing filters ensure a continuous supply of filtered water. The fine filter prevents the ingress of foreign bodies, for example rust particles, strands of hemp and grains of sand. The appliances correspond to the requirements of current DIN/DVGW specifications.

Special Features

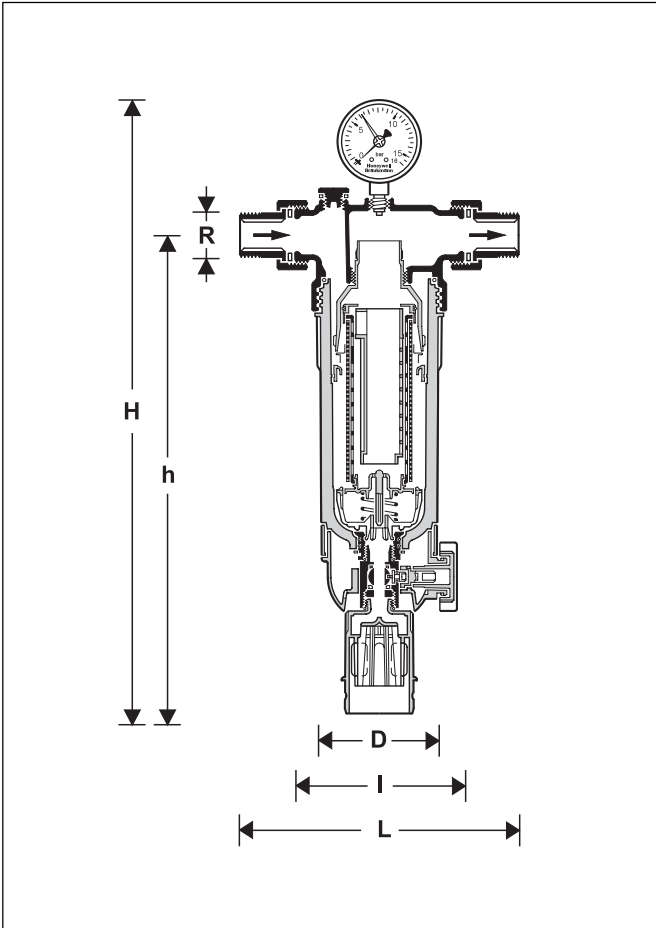
- DIN/DVGW tested
- Filtered water supplied even during reverse rinsing
- Patented reverse rinsing system - fast and thorough cleaning of the filter with small amount of water
- Memory ring indicates when the next manual reverse rinsing is due
- Automatic reverse rinsing actuator can be retrofitted using bayonet connector
- Large filter surface
- Shock resistant clear synthetic material filter bowl enables easy checking of filter contamination
- Filter insert fully interchangeable
- Also available without connections
- Very simple operation
- Complies with KTW requirements
- Reliable and tested
- Standardised discharge connection

Range of Application

Medium Water

Technical Data

Installation position	Horizontal, with filter bowl downwards
Operating temperature	max. 40 °C with clear filter bowl max. 70 °C with red-bronze filter bowl
Operating pressure	min. 1.5 bar max. 16.0 bar with clear filter bowl max. 25.0 bar with red-bronze filter bowl
Connection sizes	1/2" - 2"



Method of Operation

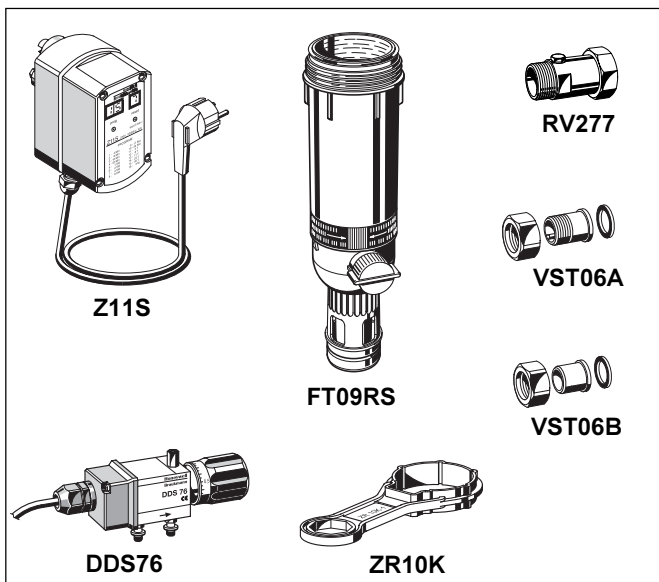
The filter insert is divided into two parts. In the „filtering“ position, only the lower, larger section is rinsed through by water jets from outside to inside. The small upper section does not come in contact with unfiltered water. When the ball valve is opened for reverse rinsing, then the whole filter insert is pushed downwards until the water supply to the outer side of the main filter is stopped. Simultaneously, the water flow is opened to the upper part of the filter. The water needed for cleaning the filter passes through the upper filter section, then the rotating impeller and the main filter from inside to outside, i.e. the filter is reverse rinsed with filtered water. In that way the upper filter is also cleaned by jets from the impeller. The filter automatically switches back to the operating position when the ball valve is closed again.

Options

- F76S- ... AA = Threaded male connections, filter mesh size 100 µm
- F76S- ... AB = Threaded male connections, filter mesh size 20 µm
- F76S- ... AC = Threaded male connections, filter mesh size 50 µm
- F76S- ... AD = Threaded male connections, filter mesh size 200 µm
- F76S- ... AAM = Red-bronze filter bowl, threaded male connections, filter mesh size 100 µm
- F76S- ... ACM = Red-bronze filter bowl, threaded male connections, filter mesh size 50 µm
- F76S- ... EA = Without connections, filter mesh size 100 µm
- F76S- ... EB = Without connections, filter mesh size 20 µm
- F76S- ... EC = Without connections, filter mesh size 50 µm
- F76S- ... ED = Without connections, filter mesh size 200 µm

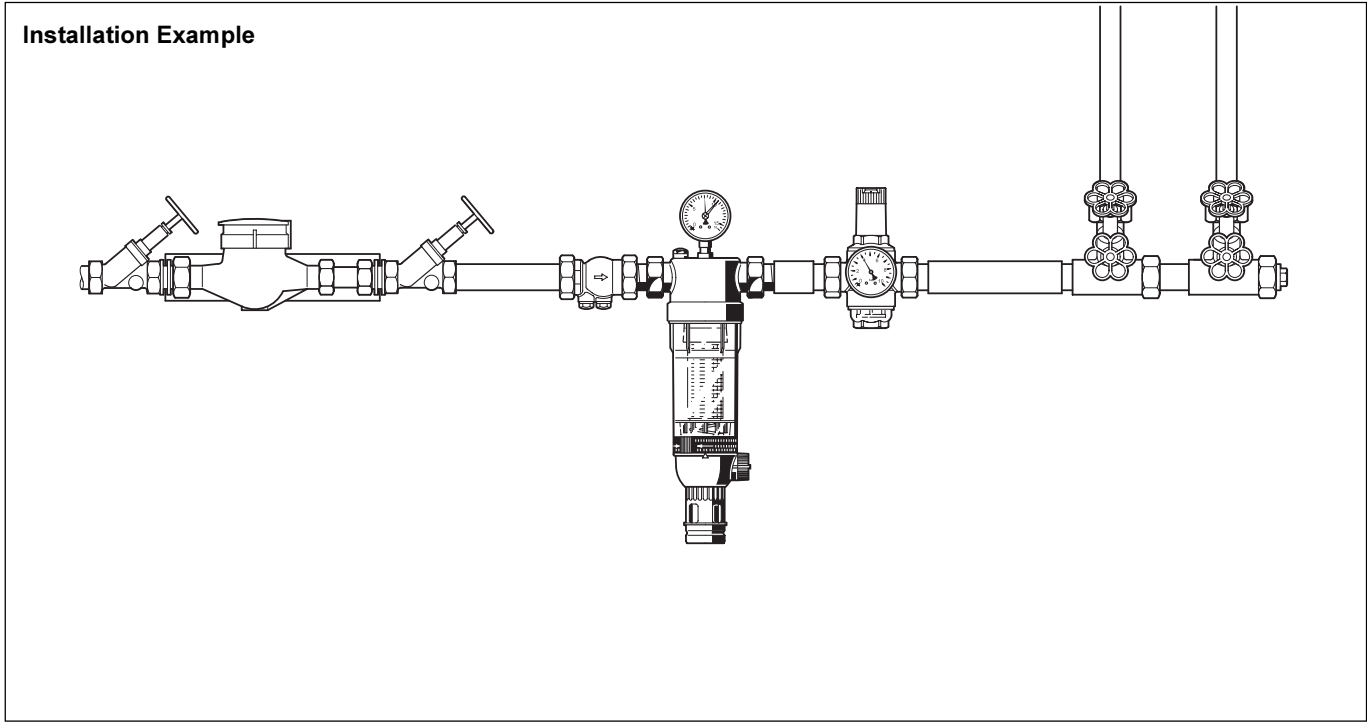
Connection size

Connection size	R	1/2"	3/4"	1"	1 1/4"	1 1/2"	2"
Nominal size	DN	15	20	25	32	40	50
Approximate weight	(kg)	2.9	2.9	3.1	3.3	4.0	4.8
Dimensions (mm)	L	170	178	209	222	246	267
	I	110	110	130	130	150	150
	H	449	449	453	453	532	532
	h	350	350	351	351	417	417
	D	97	97	97	97	120	120
Flow value at Δp = 0.2 bar	(m ³ /h)	3.2	4.3	7.2	7.8	10.0	11.5
kvs-value		7.2	9.6	16.1	17.4	22.4	25.7
DIN/DVGW-Approval No.		NW – 9301 AT 2308					



Accessories

- Z11S Automatic reverse rinsing actuator**
For fully automatic reverse rinsing of the filter at presettable intervals
- ZR10K Double ring wrench**
For removing filter bowl
- FT09RS Red-bronze filter bowl**
For temperatures up to 70 °C and pressures up to 25.0 bar
- RV277 Inlet non-return valve**
In sizes R 1/2" - 2"
- VST06 Connection set**
A = Threaded male connection
B = Solder union connection
- DDS76 Differential pressure switch**



Installation Guidelines

- Install in horizontal pipework with filter bowl downwards
 - This position ensures optimum efficiency
- Fit shut off valves on both sides of the water meter
- Ensure good accessibility
 - So that pressure gauge can be easily read
 - Degree of contamination can be seen with clear filter bowl
 - Simplifies maintenance and inspection
- Fit immediately after water meter
 - Corresponds to DIN 1988, Part 2

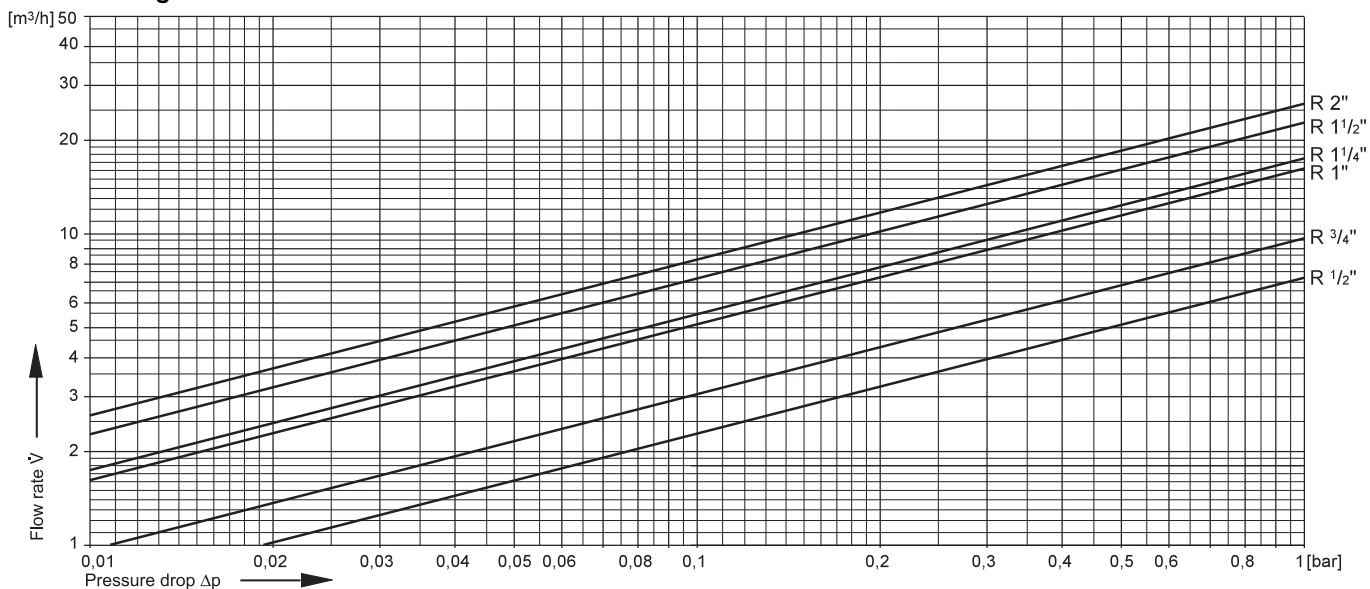
Typical Applications

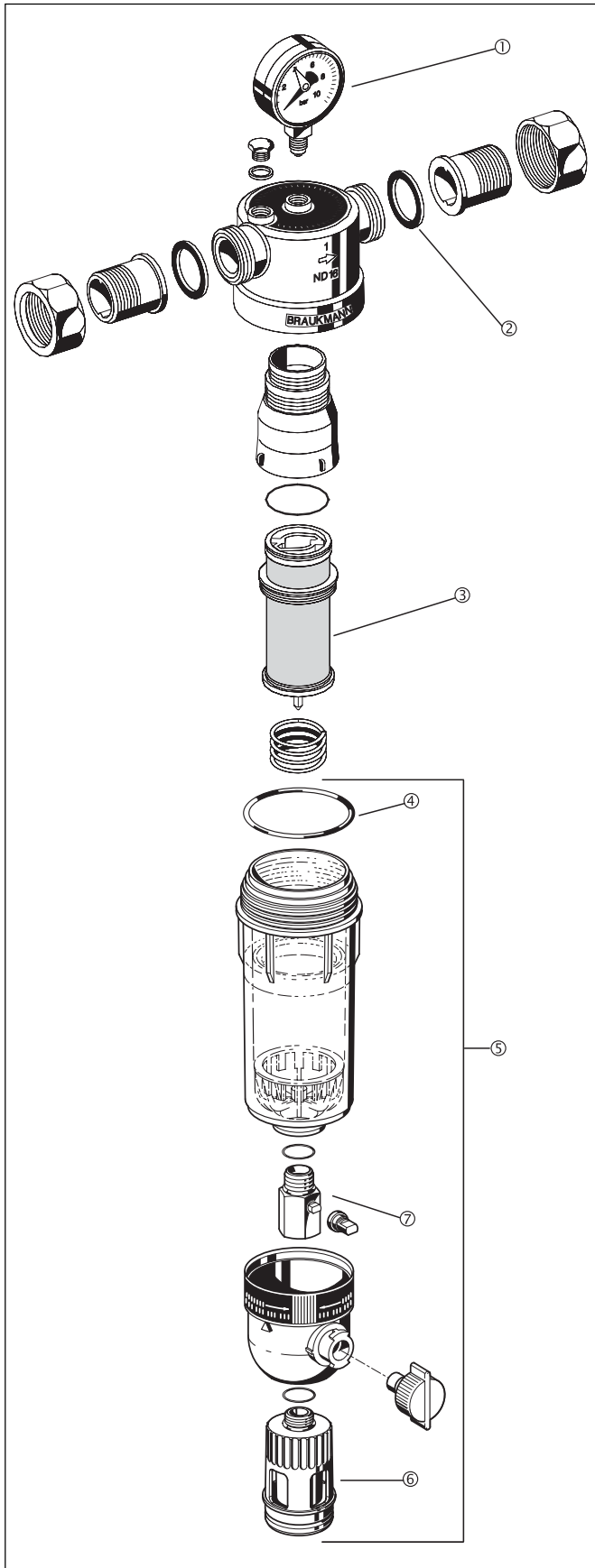
F76S fine filters are suitable for supplies to buildings of all types. They can be used for industrial or commercial purposes within their specification.

F76S fine filters are installed:

- Where there is existing metal or plastics pipework
- Where dirt sensitive appliances are fitted in the downstream system

kvs-value Diagram





**Spare Parts for F76S Fine Filters
(From 1997 onwards)**

Description	Nominal size	Part number
① Pressure gauge	1/2" - 2"	M76M-A16
② Seal ring set (pack of 10)	1/2" + 3/4"	0901444
	1"	0901445
	1 1/4"	0901446
	1 1/2"	0901447
	2"	0901448
③ Filter insert complete	Filter mesh 100 µm	1/2" - 1 1/4" AF11S-1A
		1 1/2" - 2" AF11S-11/2A
	Filter mesh 20 µm	1/2" - 1 1/4" AF11S-1B
		1 1/2" - 2" AF11S-11/2B
	Filter mesh 50 µm	1/2" - 1 1/4" AF11S-1C
		1 1/2" - 2" AF11S-11/2C
	Filter mesh 200 µm	1/2" - 1 1/4" AF11S-1D
		1 1/2" - 2" AF11S-11/2D
	Filter mesh 300 µm	1/2" - 1 1/4" AF11S-1E
	1 1/2" - 2" AF11S-11/2E	
Filter mesh 500 µm	1/2" - 1 1/4" AF11S-1F	
	1 1/2" - 2" AF11S-11/2F	
④ 'O' ring (pack of 10)	1/2" - 1 1/4"	0900747
	1 1/2" - 2"	0900748
⑤ Clear filter bowl	1/2" - 1 1/4"	KF11S-1A
	1 1/2" - 2"	KF11S-11/2A
⑥ Drain connection	1/2" - 2"	AA76-1/2/A
⑦ Ball valve complete	1/2" - 2"	KH11S-1A

Automation and Control Products

Honeywell GmbH
Hardhofweg
D-74821 Mosbach

Phone: (49) 6261 810
Fax: (49) 6261 81309
braukmann@honeywell.com

Honeywell
Braukmann

<http://europe.hbc.honeywell.com>