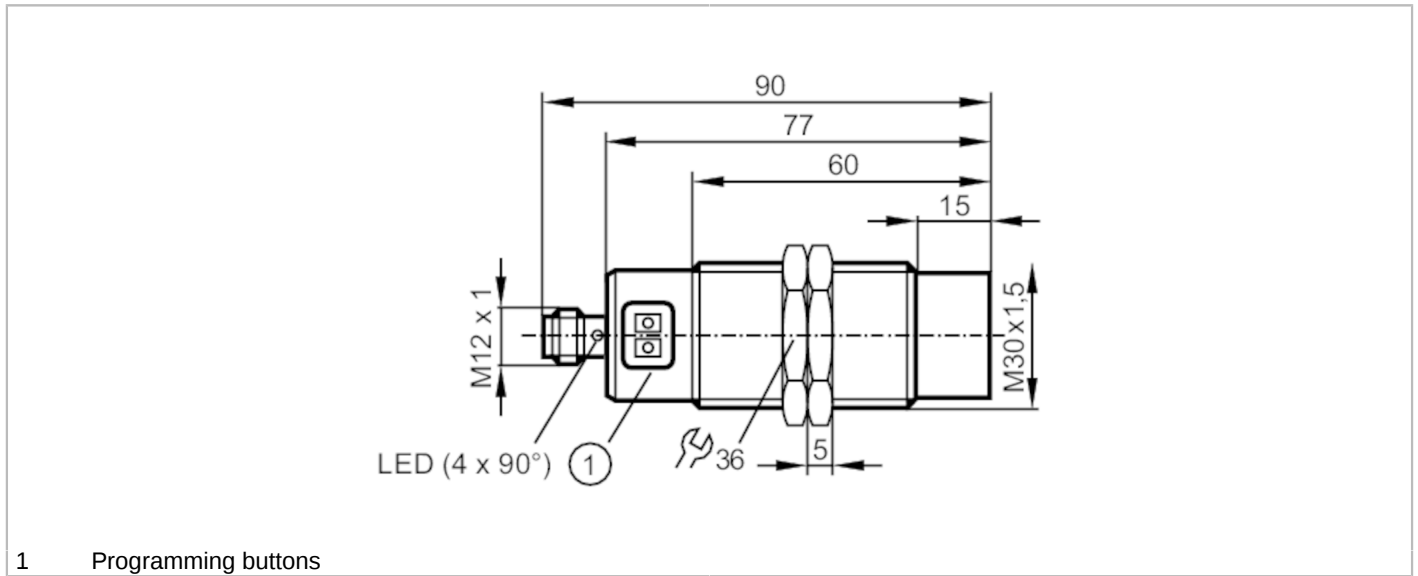


KI5087



Capacitive sensor

KIA3150NFPKG/2T/US



| Product characteristics | |
|--|--------------------------------------|
| Electrical design | PNP |
| Output function | normally open / closed; (selectable) |
| Sensing range [mm] | 15 |
| Communication interface | IO-Link |
| Housing | Threaded type |
| Dimensions [mm] | M30 x 1.5 / L = 90 |
| Electrical data | |
| Operating voltage [V] | 10...30 DC; (10...36 DC (60 °C)) |
| Current consumption [mA] | < 18 |
| Protection class | III |
| Reverse polarity protection | yes |
| Measuring principle | capacitive |
| Outputs | |
| Electrical design | PNP |
| Output function | normally open / closed; (selectable) |
| Max. voltage drop switching output DC [V] | 2.5 |
| Permanent current rating of switching output DC [mA] | 100 |
| Switching frequency DC [Hz] | 10 |
| Short-circuit proof | yes |
| Overload protection | yes |
| Monitoring range | |
| Sensing range [mm] | 15 |
| Accuracy / deviations | |
| Hysteresis [% of Sr] | 1...15 |
| Switch-point drift [% of Sr] | -20...20 |

KI5087



Capacitive sensor

KIA3150NFPKG/2T/US

| Interfaces | | |
|-------------------------------|--|--|
| Communication interface | IO-Link | |
| Transmission type | COM1 (4,8 kBaud) | |
| IO-Link revision | 1.1 | |
| SDCI standard | IEC 61131-9 CDV | |
| Profiles | Smart Sensor | |
| SIO mode | yes | |
| Min. process cycle time [ms] | 101 | |
| Supported DeviceIDs | Type of operation | DeviceID |
| | default | 388 |
| Operating conditions | | |
| Ambient temperature [°C] | -25...80 | |
| Protection | IP 65; IP 67 | |
| Tests / approvals | | |
| EMC | EN 61000-4-2 ESD | 8 kV AD |
| | EN 61000-4-3 HF radiated | 10 V/m |
| | EN 61000-4-4 Burst | 2 kV |
| | EN 61000-4-6 HF conducted | 3 V |
| | EN 55011 | class B |
| Vibration resistance | EN 60068-2-6 Fc | (10...55 Hz) / 1 mm amplitude, vibration duration 5 min., 30 min. per axis with resonance or 55 Hz |
| Shock resistance | EN 60068-2-27 Ea | 30 g 6 shocks / 11 ms half-sine (x, y, z) |
| MTTF [years] | 719 | |
| Mechanical data | | |
| Weight [g] | 119.2 | |
| Housing | Threaded type | |
| Mounting | non-flush mountable | |
| Dimensions [mm] | M30 x 1.5 / L = 90 | |
| Thread designation | M30 x 1.5 | |
| Material | housing: stainless steel (1.4404 / 316L); Pushbuttons: TPE-U; cover: PBT; LED window: PEI | |
| Displays / operating elements | | |
| Display | Switching status | 1 x LED, yellow |
| Teach function | yes | |
| Electronic lock | yes | |
| Accessories | | |
| Items supplied | lock nuts: 2 | |
| Remarks | | |
| Pack quantity | 1 pcs. | |

KI5087

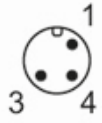


Capacitive sensor

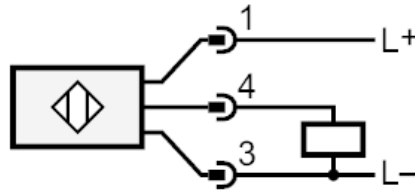
KIA3150NFPKG/2T/US

Electrical connection - plug

Connector: 1 x M12; coding: A



Connection



4: OUT / IO-Link