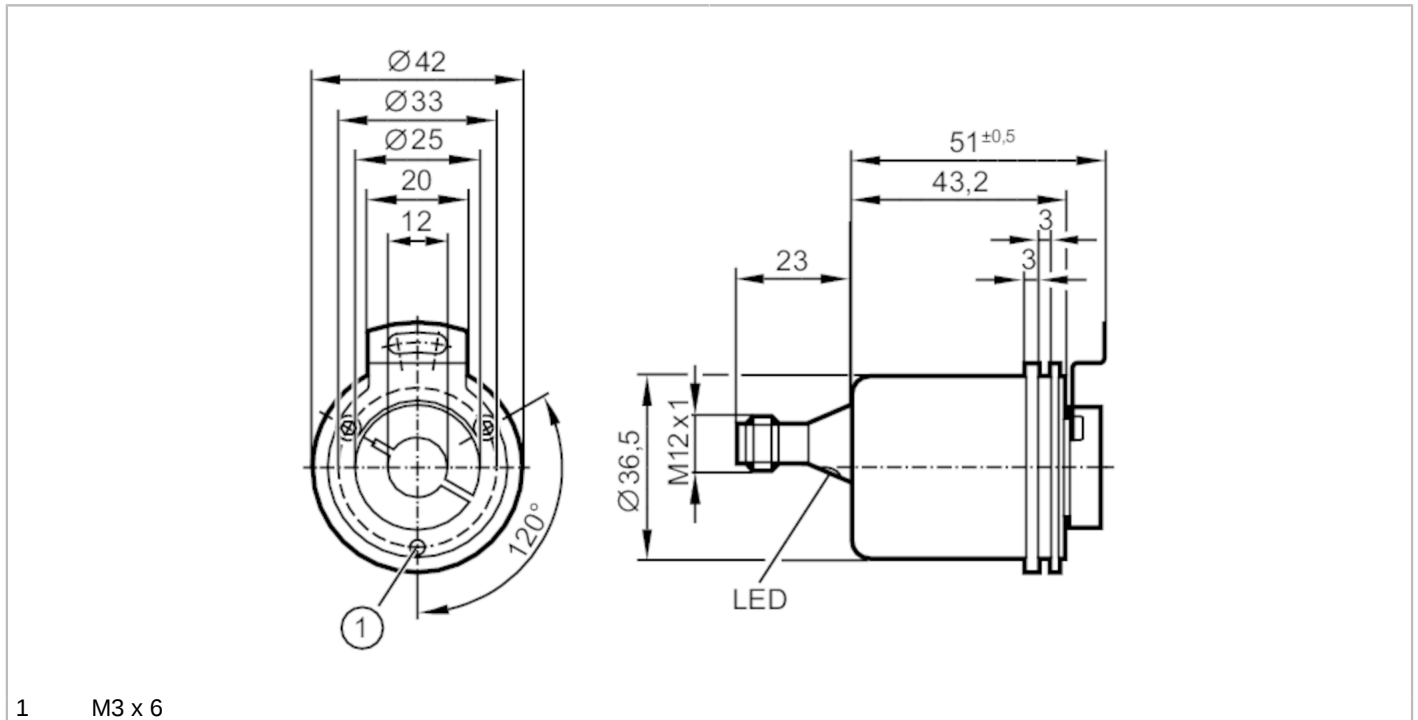


# RM8004



## Absolute multiturn encoder with hollow shaft

RMS0024-C24/USU



1 M3 x 6



Product characteristics	
Resolution	4096 steps; 4096 revolutions; 24 bit
Communication interface	CAN
Shaft design	hollow shaft open to one side
Shaft diameter [mm]	12
Application	
Function principle	absolute
Revolution type	multiturn
Electrical data	
Operating voltage [V]	9...30 DC; ("supply class 2" to cULus)
Current consumption [mA]	< 100; ((10 V DC) ; ≤ 50 (24 V DC))
Protection class	III
Reverse polarity protection	yes
Outputs	
Short-circuit protection	yes
Code	binary
Measuring/setting range	
Resolution	4096 steps; 4096 revolutions; 24 bit
Accuracy / deviations	
Accuracy [°]	0.25
Software / programming	
Parameter setting options	CAN parameter; scaling; preset; Baud rate; direction of rotation; node ID

# RM8004



## Absolute multiturn encoder with hollow shaft

RMS0024-C24/USU

Interfaces		
Communication interface	CAN	
CAN		
Protocol	CANopen	
Factory settings	Baud rate: 125 kBit/s node ID: 32	
Version	DSP - 406 V3.1; DS 301 V4.02; DS 306 V2.0	
Operating conditions		
Ambient temperature [°C]	-40...85	
Max. relative air humidity [%]	98	
Protection	IP 65; (on the housing: IP 65; on the shaft: IP 64)	
Tests / approvals		
Shock resistance	< 300 g (6 ms)	
Vibration resistance	30 g (10...1000 Hz)	
MTTF [years]	240	
Mechanical data		
Weight [g]	235.5	
Housing	cylindrical	
Dimensions [mm]	Ø 36.5 / L = 74	
Materials	flange: aluminium; housing cap: steel powder-coated	
Max. revolution, mechanical [U/min]	6000	
Max. starting torque [Nm]	3	
Reference temperature torque [°C]	25	
Shaft design	hollow shaft open to one side	
Shaft diameter [mm]	12	
Shaft material	steel	
Max. shaft load axial (at the shaft end) [N]	40	
Max. shaft load radial (at the shaft end) [N]	110	
Fixing flange	Ø 36.5 mm	
Displays / operating elements		
Display	Preoperational Mode	LED, green
	Operational Mode	LED, green flashing
	error message	LED, red flashing

# RM8004

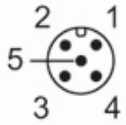


## Absolute multiturn encoder with hollow shaft

RMS0024-C24/USU

### Electrical connection

Connector: 1 x M12, axial; coding: A



1	CAN_GND
2	VBBc
3	GND (PE)
4	CAN_High
5	CAN_Low