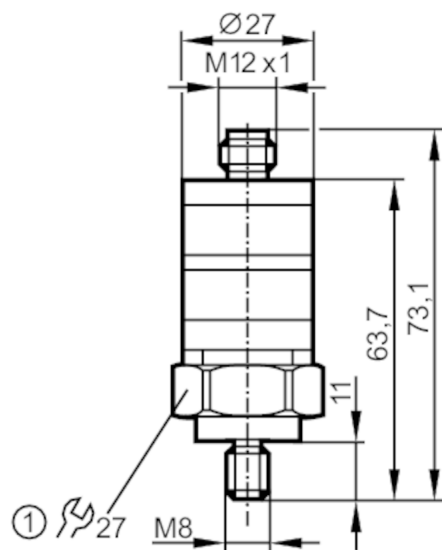




## Vibration monitor with intuitive switch point setting

VIBRATION MONITOR



1 Tightening torque 15 Nm  
M8 x 1.25 mm



### Product characteristics

Measuring range of vibration [mm/s]	0...25; (RMS)
Frequency range [Hz]	10...1000

### Application

Application	vibration monitor to DIN ISO 10816
-------------	------------------------------------

### Electrical data

Operating voltage [V]	18...32 DC
Current consumption [mA]	< 50
Protection class	III
Sensor type	microelectromechanical system (MEMS)

### Inputs / outputs

Total number of inputs and outputs	2
Number of inputs and outputs	Number of digital outputs: 1; Number of analogue outputs: 1

### Outputs

Output signal	switching signal; analogue signal
Electrical design	PNP
Number of digital outputs	1
Output function	normally closed
Max. voltage drop switching output DC [V]	2
Permanent current rating of switching output DC [mA]	500
Number of analogue outputs	1
Analogue current output [mA]	4...20
Max. load [Ω]	500



## Vibration monitor with intuitive switch point setting

### VIBRATION MONITOR

Short-circuit protection	yes	
Type of short-circuit protection	pulsed	
Overload protection	yes	
<b>Measuring/setting range</b>		
Measuring range of vibration [mm/s]	0...25; (RMS)	
Frequency range [Hz]	10...1000	
Number of measurement axes	1	
<b>Accuracy / deviations</b>		
Measuring error [% of the final value]	< ± 3	
Linearity deviation	0,25 %	
<b>Response times</b>		
Response time [s]	1...60	
<b>Software / programming</b>		
Adjustment of the switch point	setting ring	
<b>Operating conditions</b>		
Ambient temperature [°C]	-25...80	
Note on ambient temperature	UL application: < 80 °C	
Storage temperature [°C]	-25...80	
Protection	IP 67	
<b>Tests / approvals</b>		
EMC	EN 61000-4-2 ESD	4 kV CD / 8 kV AD
	EN 61000-4-3 HF radiated	10 V/m
	EN 61000-4-4 Burst	2 kV
	EN 61000-4-6 HF conducted	10 V
Shock resistance		400 g
MTTF [years]		510
<b>Mechanical data</b>		
Weight [g]		113.5
Type of mounting		M8 x 1,25
Materials		PBT; PC; FKM; stainless steel (316L/1.4404)
Tightening torque [Nm]		15
<b>Displays / operating elements</b>		
Display	operation	LED, green
	switching status	LED, yellow
With scale		yes
Operating elements	setting ring	setting ring
<b>Remarks</b>		
Pack quantity		1 pcs.

# VKV021



## Vibration monitor with intuitive switch point setting

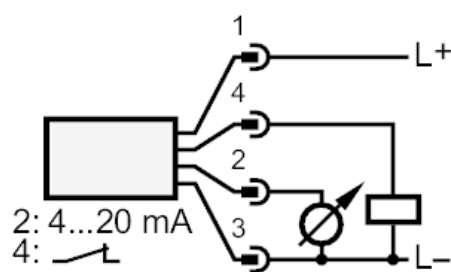
VIBRATION MONITOR

### Electrical connection

Connector: 1 x M12; coding: A



### Connection



1	L+
2	4...20 mA
3	GND
4	switching output