



Flush-mount LCD
multimeters.
expandable
DMG700
Three-phase +
neutral

Product designation

Product type designation

Type

Auxiliary supply U_s

Auxiliary rated supply voltage AC	VAC	100...440
Auxiliary rated supply voltage DC	VDC	110...250
Auxiliary operating voltage range		
AC	min VAC	90
	Max VAC	484
DC	min VDC	93.5
	Max VDC	300

Operational frequency

min	Hz	45
max	Hz	66

Power consumption

Max	VA	3.9
-----	----	-----

Power dissipation Max

	W	3.4
--	---	-----

Measuring voltage inputs

Rated voltage (U_e)	phase-phase	VAC	690
	phase-neutral	VAC	400

Operating voltage range

phase-phase	VAC	20...830
phase-neutral	VAC	10...480

Voltage inputs operational frequency

min	Hz	45
max	Hz	66

Voltage inputs measurement method

True RMS
Single, two,
three-phase with
or without neutral.
balanced three-
phase system

Connection method

Current inputs

Rated current (I_e)	A	5A
Measurement range		0.01...6
Measurement method		TRMS
Overload capacity		+20% I_e by external CT with 5A secondary
Overload peak	A	50A for 1s

Accuracy

VLN voltage	±0.5%
VLL voltage	±0.5%
Current	±0.5%
Frequency	±0.05%
Active power	±1% f.s.
Active energy	Class 1 (IEC/EN 62053-21)
Reactive energy	Class 2 (IEC/EN 62053-23)

Insulations

Rated insulation voltage U_i IEC/EN	V	690
Rated impulse withstand voltage U_{imp}	kV	9.5
Operating frequency withstand voltage	kV	5.2

Mechanical features

Housing type	Polyamide
Terminals type	Removable
Conductor cross section	

min	mm ²	0.2
Max	mm ²	2.5
min	AWG	24
Max	AWG	12

Tightening torque (Max)

Nm	0.5
lbin	4.5

Fixing	Flush-mounting
Weight	g 510

Ambient conditions

Temperature

Operating temperature

min	°C	-20
max	°C	+60

Storage temperature

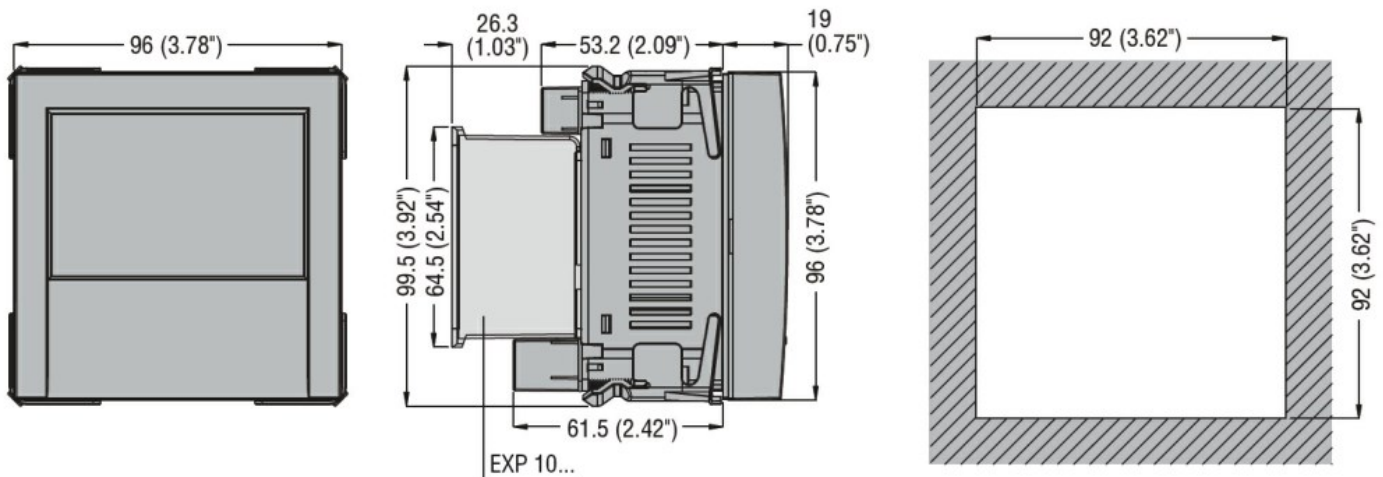
min	°C	-30
max	°C	+80

Relative humidity	%	<90
-------------------	---	-----

Maximum Pollution degree	2
--------------------------	---

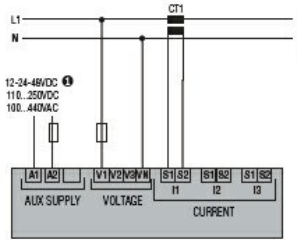
Protection degree	IP65
-------------------	------

Dimensions [mm (in)]

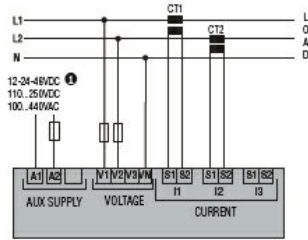


Wiring diagrams

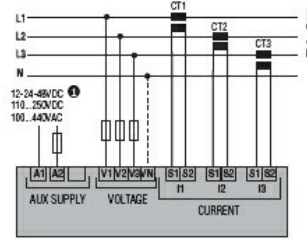
MULTIMETERS
Single-phase



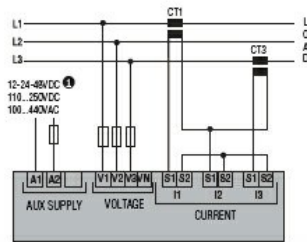
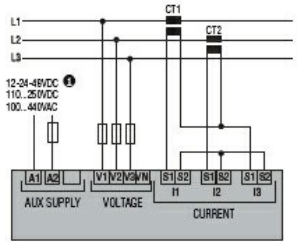
Two-phase



Three-phase with or without neutral



Three-phase without neutral in ARON connection



Certifications and compliance

Compliance

CSA C22.2 n°14
IEC/EN 61000-6-2
IEC/EN 61000-6-4
IEC/EN 61010-1
UL508

Certificates

cULus
EAC
GOST
RCM

ETIM classification

ETIM 8.0

EC002301 -
Multifunction
measuring
instrument