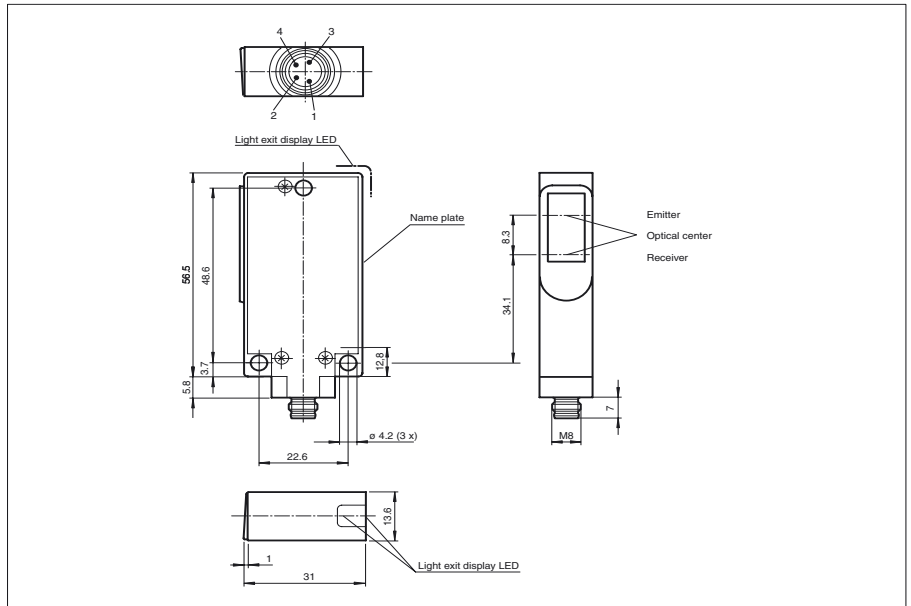




**Dimensions**



**Model Number**

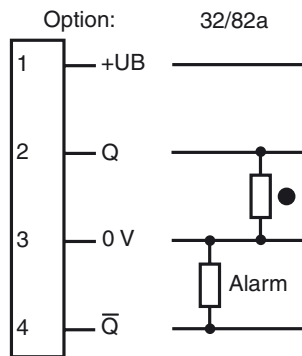
**MLV40-6/32/82A/95**

Retro-reflective sensor with 4-pin, M8 connector

**Features**

- Sturdy aluminium housing
- Scratch-resistant and solvent resistant optical covering made of glass
- Pre-fault indication

**Electrical connection**



○ = Light on  
● = Dark on

Release date: 2008-08-18 13:18 Date of issue: 2008-08-18 418808\_ENG.xml

## Technical data

### General specifications

Effective detection range	0.1 ... 2 m
Reflector distance	100 ... 2000 mm
Threshold detection range	4 m (with H60 reflector)
Light source	IRED
Approvals	CE, cULus
Light type	infrared, modulated light
Diameter of the light spot	100 mm at 2000 mm detection range
Angle of divergence	approx. 4 °
Ambient light limit	80000 Lux

### Indicators/operating means

Function display	LED yellow, lights up when light beam is unblocked, flashes when falling short of the stability control
------------------	---

### Electrical specifications

Operating voltage	10 ... 30 V DC
Ripple	5 %
No-load supply current	$I_0$ 40 mA

### Output

Output of the pre-fault indication	1 pnp, active when falling short of the stability control
Switching type	dark ON
Signal output	1 PNP output, short-circuit proof, protected from reverse polarity, open collector
Switching voltage	max. 30 V DC
Switching current	max. 200 mA
Switching frequency	$f$ 500 Hz
Response time	1 ms

### Standard conformity

Standards	EN 60947-5-2
-----------	--------------

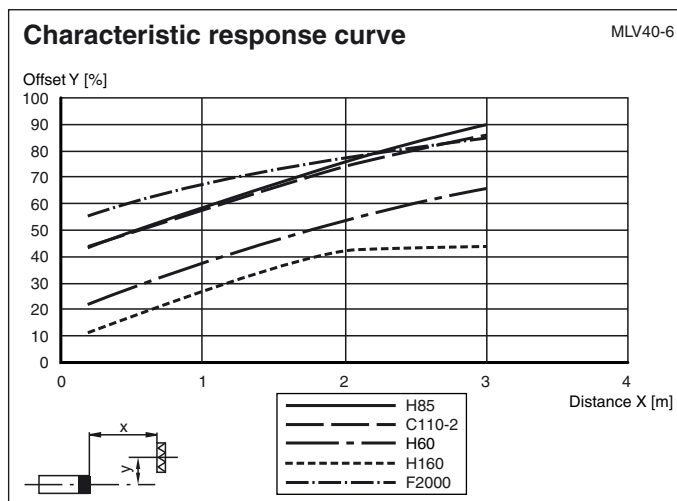
### Ambient conditions

Ambient temperature	-20 ... 60 °C (253 ... 333 K)
Storage temperature	-20 ... 75 °C (253 ... 348 K)

### Mechanical specifications

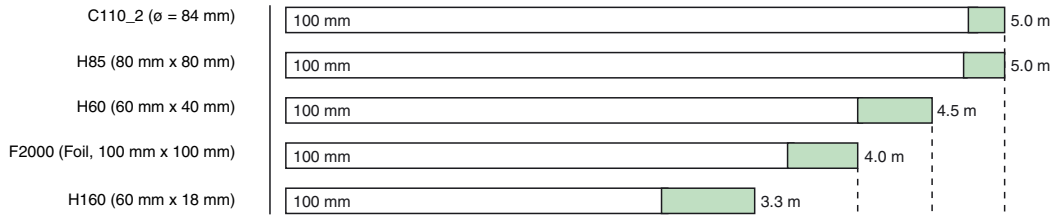
Protection degree	IP65
Connection	M8 connector, 4-pin
Material	
Housing	aluminium
Optical face	glass
Mass	100 g

## Curves / Diagrams



Relative received light strength

Reflector type:



Stability control > 3  
 Stability control < 3

