

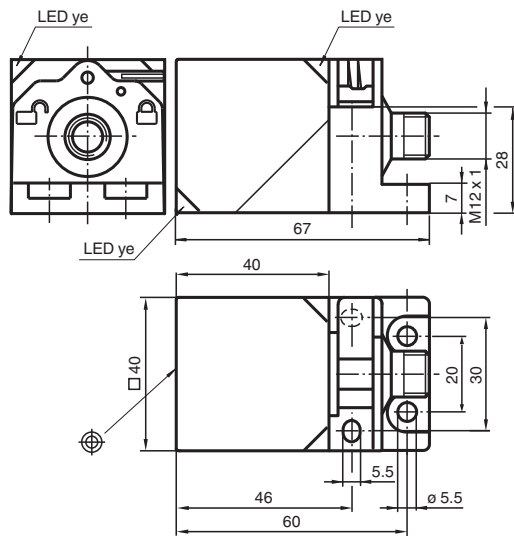
Inductive sensor

NBB20-L2-Z4-V1

- Sensor head bidirectional and rotatable
- 20 mm flush
- 2-wire DC
- Quick mounting bracket



Dimensions



Technical Data

General specifications

| | | |
|------------------------------|-------|--------------------|
| Switching function | | Normally open (NO) |
| Output type | | Two-wire |
| Rated operating distance | s_n | 20 mm |
| Installation | | flush |
| Output polarity | | DC |
| Assured operating distance | s_a | 0 ... 16.2 mm |
| Actual operating distance | s_r | 18 ... 22 mm |
| Reduction factor r_{Al} | | 0.33 |
| Reduction factor r_{Cu} | | 0.31 |
| Reduction factor r_{304} | | 0.74 |
| Reduction factor r_{Brass} | | 0.41 |
| Output type | | 2-wire |

Nominal ratings

| | | |
|-----------------------------|-------|----------------------------|
| Operating voltage | U_B | 3.8 ... 30 V DC |
| Switching frequency | f | 0 ... 30 Hz |
| Reverse polarity protection | | reverse polarity protected |
| Short-circuit protection | | pulsing |
| Voltage drop | U_d | ≤ 3.8 V |
| Voltage drop at I_L | | |

Release date: 2023-12-13 Date of issue: 2023-12-13 Filename: 182171_eng.pdf

Refer to "General Notes Relating to Pepperl+Fuchs Product Information".

Pepperl+Fuchs Group
www.pepperl-fuchs.com

USA: +1 330 486 0001
fa-info@us.pepperl-fuchs.com

Germany: +49 621 776 1111
fa-info@de.pepperl-fuchs.com

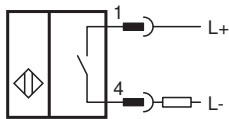
Singapore: +65 6779 9091
fa-info@sg.pepperl-fuchs.com

PEPPERL+FUCHS

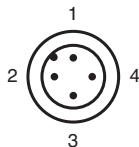
Technical Data

| | | |
|--|-------|--|
| Voltage drop $I_L = 100 \text{ mA}$, switching element on | U_d | ... 3.8 V |
| Operating current | I_L | 2 ... 100 mA |
| Off-state current | I_r | 0 ... 0.5 mA |
| Switching state indicator | | LED, yellow |
| Compliance with standards and directives | | |
| Standard conformity | | |
| Standards | | EN 60947-5-2:2007 IEC 60947-5-2:2007 |
| Approvals and certificates | | |
| UL approval | | cULus Listed, General Purpose |
| CCC approval | | CCC approval / marking not required for products rated $\leq 36 \text{ V}$ |
| Ambient conditions | | |
| Ambient temperature | | -25 ... 70 °C (-13 ... 158 °F) |
| Storage temperature | | -25 ... 85 °C (-13 ... 185 °F) |
| Mechanical specifications | | |
| Connection type | | Connector plug M12 x 1, 4-pin |
| Housing material | | PA |
| Sensing face | | PA |
| Degree of protection | | IP69K |
| Mass | | 130 g |

Connection



Connection Assignment



Wire colors in accordance with EN 60947-5-2

| | | |
|---|----|---------|
| 1 | BN | (brown) |
| 2 | WH | (white) |
| 3 | BU | (blue) |
| 4 | BK | (black) |