

CB E1 24DC/6A S-C P - Electronic circuit breaker



2800926

<https://www.phoenixcontact.com/us/products/2800926>

Please be informed that the data shown in this PDF document is generated from our online catalog. Please find the complete data in the user documentation. Our general terms of use for downloads are valid.



Electronic circuit breaker, 1-pos., active current limitation, status output and control input, plug for base element.

Your advantages

- Individually adjustable with protective plugs
- Individually adjustable with protective plugs
- Active current limitation to improve the capacity of the upstream power supply
- Remote switch-on and switch-off thanks to the controller function
- Increased system transparency with integrated remote message function

Commercial data

Item number	2800926
Packing unit	1 pc
Minimum order quantity	1 pc
Sales key	CL04
Product key	CLA134
Catalog page	Page 383 (C-4-2019)
GTIN	4046356690829
Weight per piece (including packing)	34.6 g
Weight per piece (excluding packing)	34.6 g
Customs tariff number	85362010
Country of origin	DE

CB E1 24DC/6A S-C P - Electronic circuit breaker



2800926

<https://www.phoenixcontact.com/us/products/2800926>

Technical data

Notes

General	When mounted in rows without convection cooling, the nominal device current should only be led to a maximum of 80% due to the thermal effect during continuous operation (100% operating factor). Special precautionary measures must be taken in systems or machines, to prevent components from restarting (e.g., use of a safety PLC). Parallel connection of multiple circuit breakers is not permitted.
---------	--

Product properties

Type	Male
Product type	Device circuit breakers
Product family	CB E
Number of positions	1
No. of channels	1

Insulation characteristics

Degree of pollution	2
---------------------	---

Electrical properties

No. of channels	1
-----------------	---

General

Operating voltage	24 V DC
	18 V DC ... 30 V DC
Nominal current I_N	6 A
Rated surge voltage	0.5 kV
Tripping method	E (electronic)
Required backup fuse	not required, integrated failsafe element
Dielectric strength	max. 30 V DC (Load circuit)
Active current limitation	typ. $1.25 \times I_N$
Fuse	electronic
Closed circuit current I_0	typ. 8 mA (When switched on)
	typ. 11 mA (With status output)
Power dissipation	1.04 W (Nominal operation)
Temperature derating	5 A (at 50 °C)
MTBF (IEC 61709, SN 29500)	8320000 h (at 25 °C with 80 % load)
	7410000 h (at 40 °C with 80 % load)
Voltage drop	130 mV (at I_N)
Fail-safe element	10 A DC

Load circuit

Shutdown time	130 ms (see time/current characteristic curve)
Undervoltage switch-off	< 14 V (typ. OFF)

CB E1 24DC/6A S-C P - Electronic circuit breaker



2800926

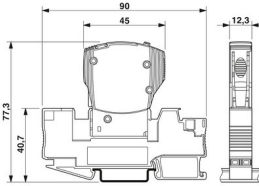
<https://www.phoenixcontact.com/us/products/2800926>

	> 17 V (typ. ON)
Max. capacitive load	20000 µF
Auxiliary contact	
Contact connection type	Positive-switching signal output
Status output	
Output voltage	24 V DC
Output current	max. 0.2 A (Short-circuit-proof)

Connection data

Connection method	pluggable
-------------------	-----------

Dimensions

Dimensional drawing	
Width	12.3 mm
Height	45 mm
Depth	52 mm
Complete module width	12.3 mm
Complete module height	90 mm
Complete module depth	77.3 mm

Material specifications

Flammability rating according to UL 94	V-0
--	-----

Environmental and real-life conditions

Ambient conditions

Degree of protection	IP30 (Actuation area)
Ambient temperature (operation)	-25 °C ... 50 °C (non-condensing)
Ambient temperature (storage/transport)	-40 °C ... 70 °C
Humidity test	96 h, 95 % RH, 40 °C
Vibration (operation)	3g (according to IEC 60068-2-6, Test Fc)

Approvals

UL approval

Identification	UL Listed UL 508
	UL Recognized UL 2367

Shipbuilding approval

Identification	DNV GL
----------------	--------

CB E1 24DC/6A S-C P - Electronic circuit breaker



2800926

<https://www.phoenixcontact.com/us/products/2800926>

Standards and regulations

Standard designation	EMV
Standards/specifications	EN 61000-6-3
Note	Interference emission
Standard designation	EMV
Standards/specifications	EN 61000-6-2
Note	Noise immunity

Mounting

Mounting type	on base element
---------------	-----------------

CB E1 24DC/6A S-C P - Electronic circuit breaker

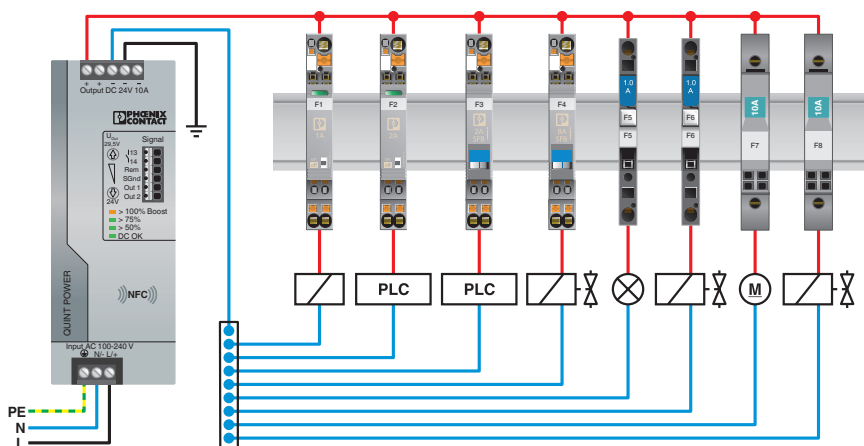


2800926

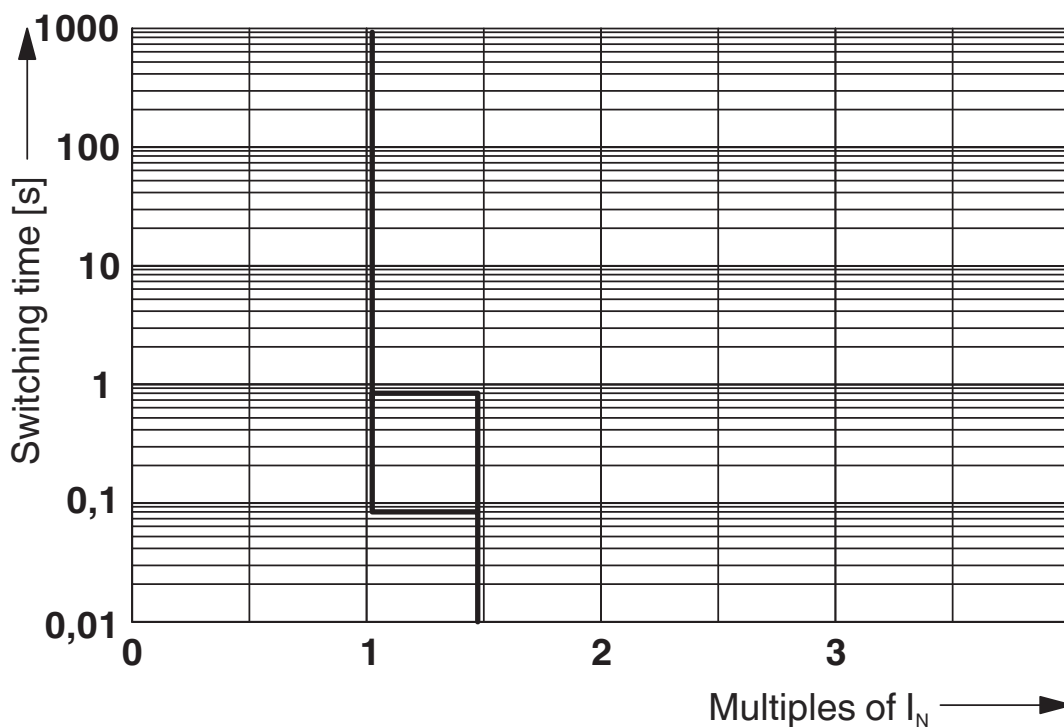
<https://www.phoenixcontact.com/us/products/2800926>

Drawings

Application drawing



Diagram



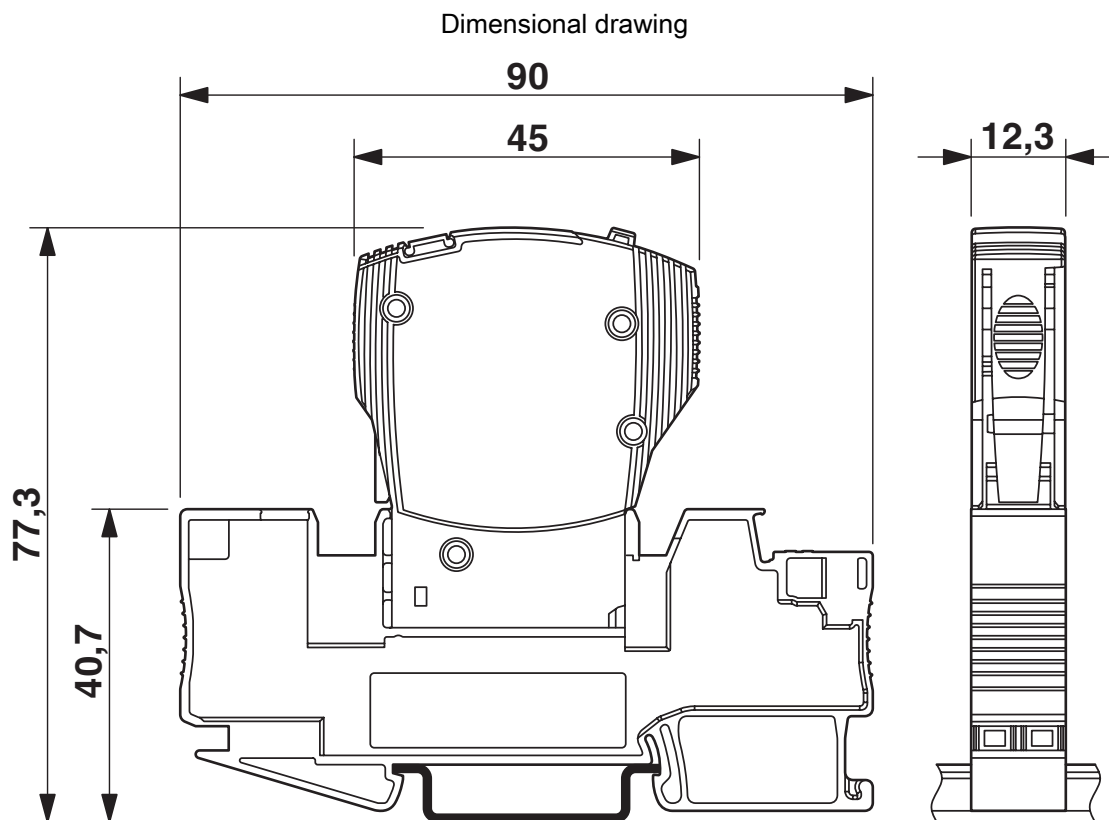
Trigger characteristic

CB E1 24DC/6A S-C P - Electronic circuit breaker

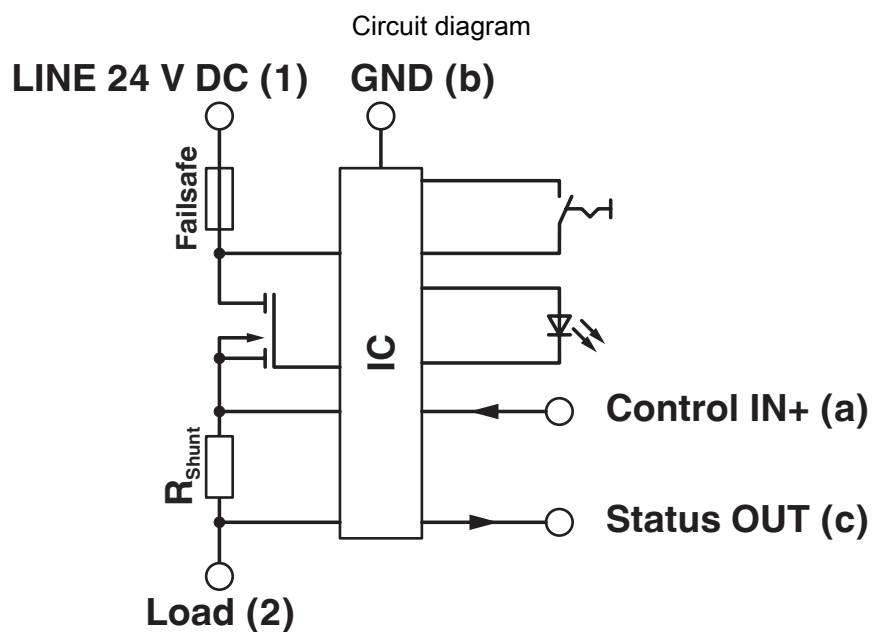


2800926

<https://www.phoenixcontact.com/us/products/2800926>



The figure shows the complete module consisting of a base element and connector



CB E1 24DC/6A S-C P - Electronic circuit breaker



2800926

<https://www.phoenixcontact.com/us/products/2800926>

Approvals

To download certificates, visit the product detail page: <https://www.phoenixcontact.com/us/products/2800926>



UL Recognized

Approval ID: FILE E 317172



DNV GL

Approval ID: TAE00003KA



UL Listed

Approval ID: FILE E 140324



cUL Listed

Approval ID: FILE E 140324

cULus Listed

CB E1 24DC/6A S-C P - Electronic circuit breaker



2800926

<https://www.phoenixcontact.com/us/products/2800926>

Classifications

ECLASS

ECLASS-11.0	27140401
ECLASS-12.0	27140401
ECLASS-13.0	27140401

ETIM

ETIM 8.0	EC003538
----------	----------

UNSPSC

UNSPSC 21.0	39121400
-------------	----------

CB E1 24DC/6A S-C P - Electronic circuit breaker



2800926

<https://www.phoenixcontact.com/us/products/2800926>

Environmental product compliance

REACH SVHC	Lead 7439-92-1
China RoHS	Environmentally Friendly Use Period = 25;
	For information on hazardous substances, refer to the manufacturer's declaration available under "Downloads"

CB E1 24DC/6A S-C P - Electronic circuit breaker



2800926

<https://www.phoenixcontact.com/us/products/2800926>

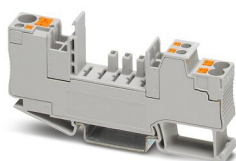
Mandatory accessories

CB 1/6-2/4 PT-BE - Base element

2800929

<https://www.phoenixcontact.com/us/products/2800929>

Base element with push-in connection technology for CB ... device circuit breakers

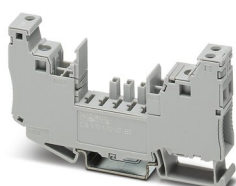


CB 1/10-1/10 UT-BE - Base element

2801305

<https://www.phoenixcontact.com/us/products/2801305>

Base element with screw connection technology for CB... device circuit breakers



CB E1 24DC/6A S-C P - Electronic circuit breaker



2800926

<https://www.phoenixcontact.com/us/products/2800926>

CB S-BE - Base element

2905067

<https://www.phoenixcontact.com/us/products/2905067>



Solder base element for PCB mounting for accommodating CB TM... or CB E... device circuit breakers

Accessories

ZBF 12:UNBEDRUCKT - Zack Marker strip, flat

0809735

<https://www.phoenixcontact.com/us/products/0809735>



Zack Marker strip, flat, Strip, white, unlabeled, can be labeled with: PLOTMARK, CMS-P1-PLOTTER, mounting type: snapped, for terminal block width: 12 mm, lettering field size: 5.15 x 12.15 mm, Number of individual labels: 5

CB E1 24DC/6A S-C P - Electronic circuit breaker

2800926

<https://www.phoenixcontact.com/us/products/2800926>



ZBF 12 CUS - Zack Marker strip, flat

0825018

<https://www.phoenixcontact.com/us/products/0825018>



Zack Marker strip, flat, can be ordered: Strip, white, labeled according to customer specifications, mounting type: snap into flat marker groove, for terminal block width: 12 mm, lettering field size: 5.15 x 12.15 mm, Number of individual labels: 5

Phoenix Contact 2023 © - all rights reserved

<https://www.phoenixcontact.com>

Phoenix Contact USA
586 Fulling Mill Road
Middletown, PA 17057, United States
(+717) 944-1300
info@phoenixcon.com