

FL WLAN 1100 - Wireless module



2702534

<https://www.phoenixcontact.com/us/products/2702534>

Please be informed that the data shown in this PDF document is generated from our online catalog. Please find the complete data in the user documentation. Our general terms of use for downloads are valid.



WLAN access point, client with two internal antennas (MIMO) for single-hole mounting, IP54, WLAN 802.11 a, b, g, n, frequency: 2.4 GHz, 5 GHz (incl. DFS channels), connections: COMBICON 9 ... 32 V DC, RJ45: for LAN, web, http/https, Command Line Interface

Commercial data

Item number	2702534
Packing unit	1 pc
Minimum order quantity	1 pc
Sales key	DN26
Product key	DNN2W4
Catalog page	Page 373 (C-6-2019)
GTIN	4055626278919
Weight per piece (including packing)	375 g
Weight per piece (excluding packing)	337 g
Customs tariff number	85176200
Country of origin	DE

2702534

<https://www.phoenixcontact.com/us/products/2702534>

Technical data

Product properties

Product type	Wireless module
Type	Stand-Alone

Insulation characteristics

Overvoltage category	none
Pollution degree	2

Wireless card

Number	1
Type	IEEE 802.11 a/b/g/n 2.4 GHz and 5 GHz to 300 Mbps
Assembly note	Permanently installed

Electrical properties

Maximum power dissipation for nominal condition	4.5 W
---	-------

Supply: Module electronics

Connection technology	COMBICON
Connection method	Push-in spring connection
Note on the connection method	Recommended conductor cross section: 0.75 mm ²
	Recommended ferrule: connection length 10 mm
	Recommended crimping pliers: trapezoidal or square
Designation	1966101 FMC 1,5/ 3-STF-3,5
Number of positions	3
Cross section range AWG	24 ... 16 (Use copper wires rated 75° C (UL))
Supply voltage	24 V DC (SELV)
Supply voltage range	18 V DC ... 32 V DC (PELV/SELV)
	9 V DC ... 32 V DC (PELV/SELV (from HW version 05))
Supply current	typ. 120 mA (at 24 V DC)
Current consumption	max. 250 mA (at 18 V DC)
	max. 400 mA (at 9 V DC)

Connection data

1966101 FMC 1,5/ 3-STF-3,5

Connection method	Push-in spring connection
Conductor cross section, rigid	0.2 mm ² ... 1.5 mm ²
Conductor cross section, flexible	0.2 mm ² ... 1.5 mm ²
Conductor cross section AWG	24 ... 16
Stripping length	10 mm

Interfaces

Antenna

FL WLAN 1100 - Wireless module



2702534

<https://www.phoenixcontact.com/us/products/2702534>

Number	2
Connection method	permanently installed
Note on the connection method	MIMO
Gain	5 dBi

Functions

Operating modes	Access Point / Client Adapter / Repeater
Configuration	Web-based management, automated CLI
Quality of service (QoS)	Yes
Security	802.11i
	WPA PSK (preshared key)
	WPA2
	AES
	TKIP
	MAC filter
	Supports 802.1X/RADIUS
Wireless licenses	EU, more countries in e-shop
Country support	Belgium
	Bulgaria
	Denmark
	Germany
	Estonia
	Finland
	France
	Greece
	Great Britain
	Ireland
	Italy
	Latvia
	Liechtenstein
	Lithuania
	Luxembourg
	Malta
	Netherlands
	Norway
	Austria
	Poland
Portugal	
Romania	
Sweden	
Switzerland	
Slovakia	
Slovenia	
Spain	

FL WLAN 1100 - Wireless module



2702534

<https://www.phoenixcontact.com/us/products/2702534>

	Czech Republic
	Hungary
	Cyprus (rep.)
	China
	Japan
	South Korea
	Thailand
	Brazil
	Russia

Ethernet (RJ45)

Number of interfaces	1
Connection method	RJ45
Note on the connection method	Auto negotiation and autocrossing
Transmission speed	10/100 Mbps
Transmission physics	Copper
Transmission length	100 m (per segment)
No. of channels	1 (RJ45 ports)

Wireless

Designation	Wireless LAN
Antenna connection method	(Internal)
Frequency band	2.4 GHz 5 GHz
Wireless standard	WLAN IEEE 802.11 a b g n
Transmission power	max. 20 dBm (EIRP)
Number of wireless interfaces	1 IEEE 802.11 a/b/g/n
Wireless modules that can be connected	10 (In Access Point mode max. 2 SSIDs)

Dimensions

Dimensional drawing	
Width	62.8 mm
Height	36.5 mm

2702534

<https://www.phoenixcontact.com/us/products/2702534>

Depth	113.2 mm
Note on dimensions	Outside dimensions

Material specifications

Color	black
Material base plate	Die-cast zinc, nickel-plated
Housing material	Polycarbonate, PC

Environmental and real-life conditions

Ambient conditions

Degree of protection	IP54
Ambient temperature (operation)	0 °C ... 60 °C
Note	Degree of protection when installed
Air pressure (operation)	800 hPa ... 1080 hPa (up to 2000 m above sea level)
Air pressure (storage/transport)	660 hPa ... 1080 hPa (up to 3500 m above sea level)
Ambient temperature (storage/transport)	-40 °C ... 85 °C
Permissible humidity (operation)	5 % ... 95 % (non-condensing)
Permissible humidity (storage/transport)	5 % ... 95 % (non-condensing)

EMC data

Electrostatic discharge

Standards/regulations	EN 61000-4-2
-----------------------	--------------

Electrostatic discharge

Contact discharge	± 4 kV
Indirect discharge	± 6 kV

Electromagnetic HF field

Standards/regulations	EN 61000-4-3
-----------------------	--------------

Electromagnetic HF field

Frequency range	80 MHz ... 1000 MHz
Test field strength	10 V/m
Frequency range	1000 MHz ... 6000 MHz
Test field strength	3 V/m

Fast transients (burst)

Standards/regulations	EN 61000-4-4
-----------------------	--------------

Fast transients (burst)

Comments	±2.2 kV
----------	---------

Surge current load (surge)

Standards/regulations	EN 61000-4-5
-----------------------	--------------

Surge current load (surge)

Signal	± 0.5 kV (symmetrical)
--------	------------------------

FL WLAN 1100 - Wireless module



2702534

<https://www.phoenixcontact.com/us/products/2702534>

	± 1 kV (asymmetrical)
--	-----------------------

Conducted interference

Standards/regulations	EN 61000-4-6
-----------------------	--------------

Conducted interference

Frequency range	0.15 MHz ... 80 MHz
Voltage	10 V

Emitted interference

Standards/regulations	EN 55022
Test result	Class B

Mounting

Mounting type	Single-hole mounting
Assembly note	Internal antenna

FL WLAN 1100 - Wireless module

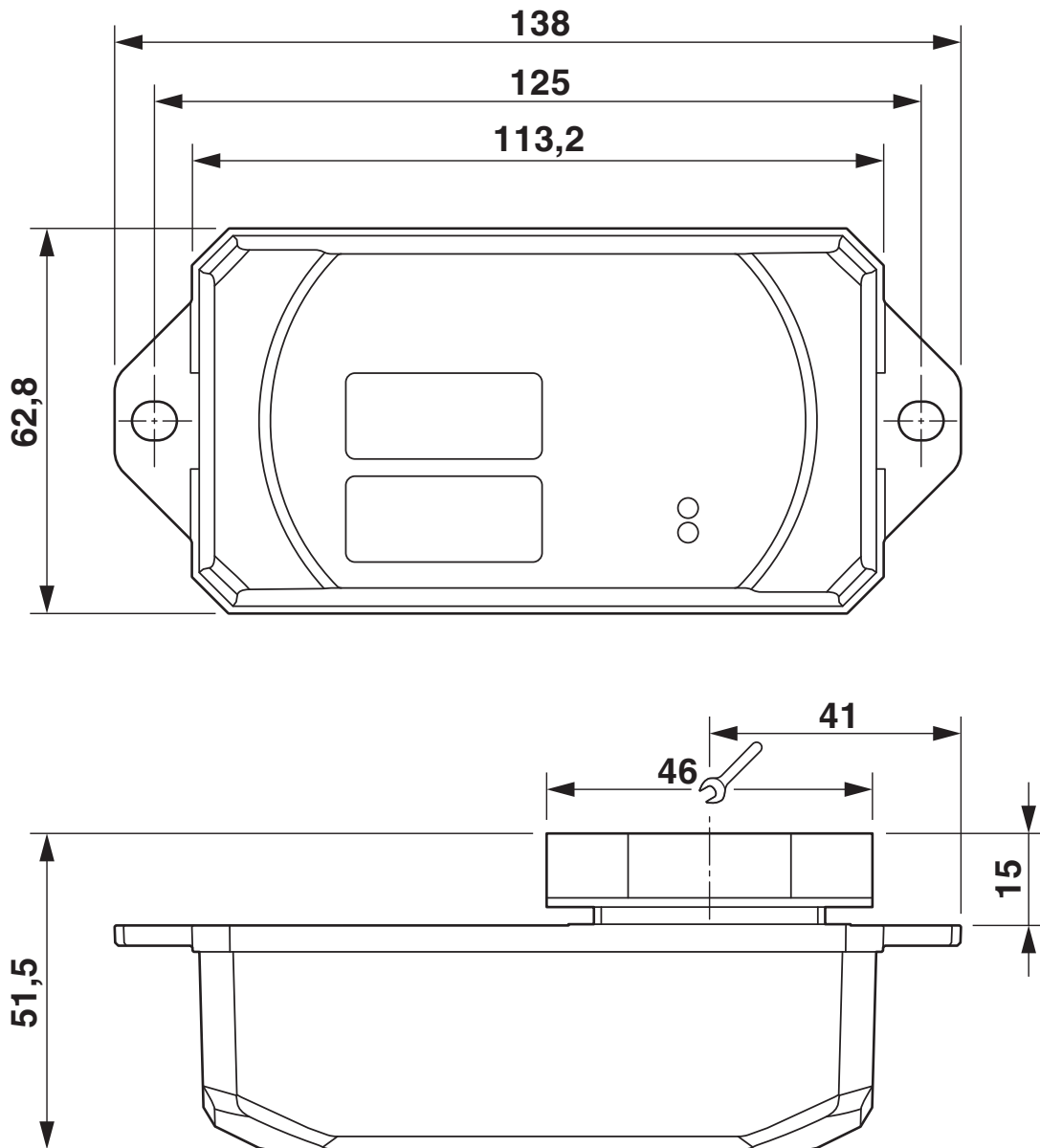


2702534

<https://www.phoenixcontact.com/us/products/2702534>

Drawings

Dimensional drawing



FL WLAN 1100 - Wireless module



2702534

<https://www.phoenixcontact.com/us/products/2702534>

Approvals

🔗 To download certificates, visit the product detail page: <https://www.phoenixcontact.com/us/products/2702534>



EAC

Approval ID: RU*-DE.*.B.00741/19



KC

Approval ID: R-CRI-PCK-2702535

ANATEL

Approval ID: 08144-18-06497

FL WLAN 1100 - Wireless module



2702534

<https://www.phoenixcontact.com/us/products/2702534>

Classifications

ECLASS

ECLASS-11.0	19170501
ECLASS-12.0	19170501
ECLASS-13.0	19170501

ETIM

ETIM 9.0	EC000816
----------	----------

UNSPSC

UNSPSC 21.0	43222600
-------------	----------

2702534

<https://www.phoenixcontact.com/us/products/2702534>

Environmental product compliance

EU RoHS

Fulfills EU RoHS substance requirements	Yes
Exemption	6(c), 7(a), 7(c)-I

China RoHS

Environment friendly use period (EFUP)	EFUP-50
	An article-related China RoHS declaration table can be found in the download area for the respective article under "Manufacturer declaration". For all articles with EFUP-E, no China RoHS declaration table issued and required.

EU REACH SVHC

REACH candidate substance (CAS No.)	Lead(CAS: 7439-92-1)
	2-(2H-benzotriazol-2-yl)-4-(1,1,3,3-tetramethylbutyl)phenol (UV-329)(CAS: 3147-75-9)
SCIP	a145e3bf-3d7b-48b6-85e6-446c8b2546e3

EF3.0 Climate Change

CO2e kg	15.86 kg CO2e
---------	---------------

FL WLAN 1100 - Wireless module



2702534

<https://www.phoenixcontact.com/us/products/2702534>

Accessories

FL M32 ADAPTER - Adapter

2702544

<https://www.phoenixcontact.com/us/products/2702544>



Accessories for FL-WLAN 1100 series: Optional cable feed-through for sealing (IP67) the FL-WLAN 110x connection (IP20), if the device is not directly integrated onto the closed housing. Not needed when mounting on a control cabinet, etc.

CUC-IND-C1ZNI-S/R4IE8 - RJ45 connector

1421607

<https://www.phoenixcontact.com/us/products/1421607>



RJ45 connector, design: RJ45, degree of protection: IP20, number of positions: 8, 1 Gbps, CAT5, material: Metal, connection method: Insulation displacement connection, connection cross section: AWG 26- 24, cable outlet: straight, color: green, Ethernet

FL WLAN 1100 - Wireless module

2702534

<https://www.phoenixcontact.com/us/products/2702534>



FMC 1,5/ 3-STF-3,5 - PCB connectors

1966101

<https://www.phoenixcontact.com/us/products/1966101>



PCB connector, nominal cross section: 1.5 mm², color: green, nominal current: 8 A, rated voltage (III/2): 160 V, contact surface: Tin, contact connection type: Socket, number of potentials: 3, number of rows: 1, number of positions: 3, number of connections: 3, product range: FMC 1,5/..-STF, pitch: 3.5 mm, connection method: Push-in spring connection, conductor/PCB connection direction: 0 °, plug-in system: COMBICON MC 1,5, locking: Screw locking mechanism, mounting: Screw flange, type of packaging: packed in cardboard

FL CAT5 PATCH 1,5 - Patch cable

2832221

<https://www.phoenixcontact.com/us/products/2832221>



Patch cable, CAT5, assembled, 1.5 m

Phoenix Contact 2024 © - all rights reserved
<https://www.phoenixcontact.com>

Phoenix Contact USA
586 Fulling Mill Road
Middletown, PA 17057, United States
(+717) 944-1300
info@phoenixcon.com