

Uninterruptible power supply - MINI-DC-UPS/24DC/2 - 2866640

Please be informed that the data shown in this PDF Document is generated from our Online Catalog. Please find the complete data in the user's documentation. Our General Terms of Use for Downloads are valid (<http://phoenixcontact.com/download>)



Uninterruptible power supply with integrated power supply unit, 2 A, in combination with MINI-BAT/24/DC 0.8 AH or 1.3 AH

Product Description

The MINI UPS modules with integrated power supply are particularly space-saving: UPS module and power supply in one housing. Only one energy storage is required to complete the UPS system.

Energy storage with lead AGM technology enables buffer times of up to 2 hours under nominal load for output voltages of 24 V DC or 12 V DC.

Your advantages

- High operational reliability - comprehensive signaling and temperature-dependent battery charging
- Fast installation – minimal wiring effort with COMBICON connectors for easy connection



Key Commercial Data

| | |
|--------------------------------------|---------------|
| Packing unit | 1 pc |
| GTIN | |
| GTIN | 4046356113533 |
| Weight per Piece (excluding packing) | 495.500 g |
| Weight per piece (including packing) | 496.080 g |
| Custom tariff number | 85371091 |
| Country of origin | China |

Technical data

Dimensions

| | |
|--------|---------|
| Width | 67.5 mm |
| Height | 99 mm |
| Depth | 107 mm |

Ambient conditions

| | |
|---------------------------------|--|
| Degree of protection | IP20 |
| Ambient temperature (operation) | -25 °C ... 70 °C (> 60 °C Derating: 2.5 %/K) |

Uninterruptible power supply - MINI-DC-UPS/24DC/2 - 2866640

Technical data

Ambient conditions

| | |
|--|---------------------------------|
| Ambient temperature (storage/transport) | -40 °C ... 85 °C |
| Max. permissible relative humidity (operation) | 95 % (at 25 °C, non-condensing) |
| Climatic class | 3K3 (in acc. with EN 60721) |
| Degree of pollution | 2 |

Input data

| | |
|---------------------------------|---|
| Nominal input voltage range | 100 V AC ... 240 V AC |
| AC input voltage range | 85 V AC ... 264 V AC |
| Input voltage range DC | 100 V DC ... 350 V DC |
| Buffer time | Can be set to: 0.5 min; 1 min; 2 min; 3 min; 5 min; 10 min; 15 min; 20 min; 30 min; permanent |
| Current consumption | 0.85 A (230 V AC) 1.5 A (120 V AC) |
| Inrush current limiting/ I^2t | < 1.1 A ² s |
| Mains buffering time | see diagram |
| Typical response time | 100 ms |
| Power factor (cos phi) | approx. 0.5 |
| Protective circuit | Varistor |
| Input fuse, integrated | 3.15 A (slow-blow, internal) |

Output data

| | |
|---|--|
| Nominal output voltage | 24 V DC |
| Setting range of the output voltage (U_{Set}) | 22.5 V DC ... 29.5 V DC (normal mode; in the buffer mode, dependent on a battery voltage of 27.9 V DC ... 19.2 V DC) |
| Nominal output current (I_N) | 2 A |
| Derating | 60 °C ... 70 °C (2.5%/K) |
| Output current limit | max. 3 A |
| Max. capacitive load | unlimited |
| Control deviation | < 1 % (change in load, static 10 % ... 90 %) |
| Power loss nominal load max. | 15 W |
| Maximum power dissipation in no-load condition | 3.8 W |
| Efficiency | > 83 % |
| Residual ripple | < 50 mV _{PP} |
| Peak switching voltages nominal load | < 100 mV _{PP} |
| Connection in parallel | yes |
| Surge protection against internal surge voltages | < 35 V DC |
| Feedback voltage resistance | 35 V DC |

General

| | |
|---------------------------------|-----------------------------------|
| IQ technology | no |
| Net weight | 0.45 kg |
| Memory medium | External, battery 0.8 Ah / 1.3 Ah |
| Insulation voltage input/output | 4 kV (type test) |

Uninterruptible power supply - MINI-DC-UPS/24DC/2 - 2866640

Technical data

General

| | |
|----------------------------|--|
| | 2 kV (routine test) |
| Protection class | II (in closed control cabinet) |
| MTBF (IEC 61709, SN 29500) | > 753000 h (40 °C) |
| Mounting position | horizontal DIN rail NS 35, EN 60715 |
| Assembly instructions | alignable: horizontally 0 mm, vertically 50 mm |

Connection data, input

| | |
|---------------------------------------|--------------------------------------|
| Connection method | Pluggable COMBICON screw connections |
| Conductor cross section solid min. | 0.2 mm ² |
| Conductor cross section solid max. | 2.5 mm ² |
| Conductor cross section flexible min. | 0.2 mm ² |
| Conductor cross section flexible max. | 2.5 mm ² |
| Conductor cross section AWG min. | 24 |
| Conductor cross section AWG max. | 12 |
| Stripping length | 8 mm |
| Screw thread | M3 |

Connection data, output

| | |
|---------------------------------------|--------------------------------------|
| Connection method | Pluggable COMBICON screw connections |
| Conductor cross section solid min. | 0.2 mm ² |
| Conductor cross section solid max. | 2.5 mm ² |
| Conductor cross section flexible min. | 0.2 mm ² |
| Conductor cross section flexible max. | 2.5 mm ² |
| Conductor cross section AWG min. | 24 |
| Conductor cross section AWG max. | 12 |
| Stripping length | 8 mm |
| Screw thread | M3 |

Connection data for signaling

| | |
|---------------------------------------|---------------------|
| Conductor cross section solid min. | 0.2 mm ² |
| Conductor cross section solid max. | 2.5 mm ² |
| Conductor cross section flexible min. | 0.2 mm ² |
| Conductor cross section flexible max. | 2.5 mm ² |
| Conductor cross section AWG min. | 24 |
| Conductor cross section AWG max. | 12 |
| Screw thread | M3 |

Standards

| | |
|-------------------------------------|----------------------------|
| EMC requirements for noise immunity | EN 61000-6-1 |
| | EN 61000-6-2 |
| EMC requirements for noise emission | EN 61000-6-3 |
| | EN 61000-6-4 |
| Standard - Electrical safety | EN 60950-1/VDE 0805 (SELV) |

Uninterruptible power supply - MINI-DC-UPS/24DC/2 - 2866640

Technical data

Standards

| | |
|--|--------------------------|
| Standard – Electronic equipment for use in electrical power installations and their assembly into electrical power installations | EN 50178/VDE 0160 (PELV) |
| Standard – Safety extra-low voltage | EN 60950-1 (SELV) |
| | EN 60204 (PELV) |
| Standard - Safe isolation | DIN VDE 0100-410 |
| Standard – Protection against shock currents, basic requirements for protective separation in electrical equipment | EN 50178 |
| Rail applications | EN 50121-4 |

Conformance/approvals

| | |
|--------------|--|
| UL approvals | UL Listed UL 508 |
| | UL/C-UL Recognized UL 60950-1 |
| | UL ANSI/ISA-12.12.01 Class I, Division 2, Groups A, B, C, D (Hazardous Location) |

EMC data

| | |
|-------------------------------|---|
| Electromagnetic compatibility | Conformance with EMC Directive 2014/30/EU |
| Low Voltage Directive | Conformance with Low Voltage Directive 2014/35/EC |
| Electrostatic discharge | EN 61000-4-2 |
| Electromagnetic HF field | EN 61000-4-3 |
| Fast transients (burst) | EN 61000-4-4 |
| Surge voltage load (surge) | EN 61000-4-5 |
| Voltage dips | EN 61000-4-11 |

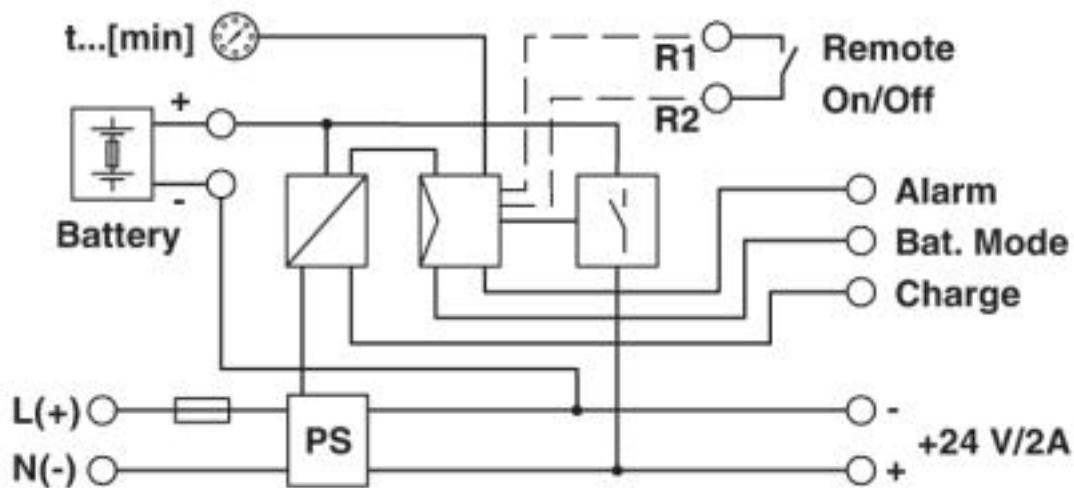
Environmental Product Compliance

| | |
|------------|---|
| REACH SVHC | Lead 7439-92-1 |
| China RoHS | Environmentally Friendly Use Period = 25; |
| | For details about hazardous substances go to tab "Downloads", Category "Manufacturer's declaration" |

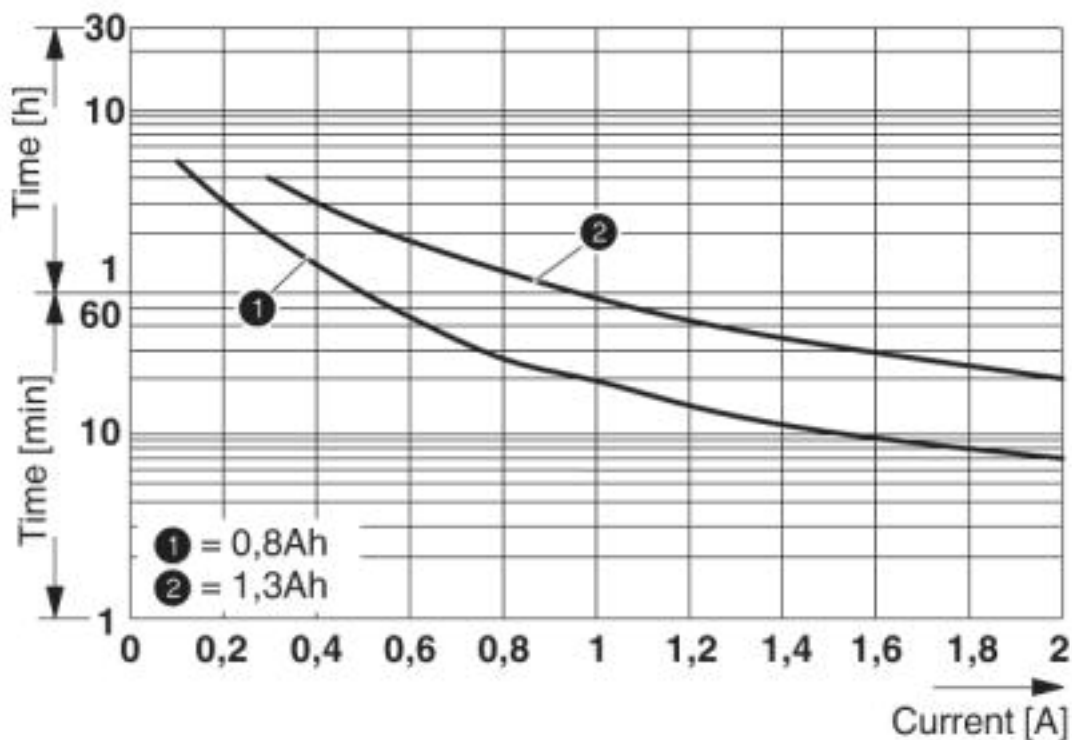
Drawings

Uninterruptible power supply - MINI-DC-UPS/24DC/2 - 2866640

Block diagram



Diagram



Classifications

eCl@ss

| | |
|------------|----------|
| eCl@ss 4.0 | 27040600 |
| eCl@ss 4.1 | 27040600 |
| eCl@ss 5.0 | 27040600 |
| eCl@ss 5.1 | 27040600 |

Uninterruptible power supply - MINI-DC-UPS/24DC/2 - 2866640

Classifications

eCl@ss

| | |
|------------|----------|
| eCl@ss 6.0 | 27040600 |
| eCl@ss 7.0 | 27040603 |
| eCl@ss 8.0 | 27040603 |
| eCl@ss 9.0 | 27040705 |

ETIM

| | |
|----------|----------|
| ETIM 2.0 | EC000382 |
| ETIM 3.0 | EC000382 |
| ETIM 4.0 | EC000382 |
| ETIM 5.0 | EC000382 |
| ETIM 6.0 | EC000382 |
| ETIM 7.0 | EC000382 |

UNSPSC

| | |
|---------------|----------|
| UNSPSC 6.01 | 30211510 |
| UNSPSC 7.0901 | 39121011 |
| UNSPSC 11 | 39121011 |
| UNSPSC 12.01 | 39121011 |
| UNSPSC 13.2 | 39121011 |
| UNSPSC 18.0 | 39121011 |
| UNSPSC 19.0 | 39121011 |
| UNSPSC 20.0 | 39121011 |
| UNSPSC 21.0 | 39121011 |

Approvals

Approvals

Approvals

UL Listed / UL Recognized / cUL Recognized / EAC / EAC / cULus Recognized

Ex Approvals

UL Listed / cUL Listed / cULus Listed

Approval details

| | | | |
|-----------|--|---|---------------|
| UL Listed | | http://database.ul.com/cgi-bin/XYV/template/LISEXT/1FRAME/index.htm | FILE E 123528 |
|-----------|--|---|---------------|

Uninterruptible power supply - MINI-DC-UPS/24DC/2 - 2866640

Approvals

| | | | |
|---------------|--|---|---------------|
| UL Recognized | | http://database.ul.com/cgi-bin/XYV/template/LISEXT/1FRAME/index.htm | FILE E 211944 |
|---------------|--|---|---------------|

| | | | |
|----------------|--|---|---------------|
| cUL Recognized | | http://database.ul.com/cgi-bin/XYV/template/LISEXT/1FRAME/index.htm | FILE E 211944 |
|----------------|--|---|---------------|

| | | | |
|-----|--|--|---------------|
| EAC | | | EAC-Zulassung |
|-----|--|--|---------------|

| | | | |
|-----|--|--|---------------------|
| EAC | | | RU*DE*08.B.01873/19 |
|-----|--|--|---------------------|

| | | | |
|------------------|--|--|--|
| cULus Recognized | | | |
|------------------|--|--|--|

Accessories

Accessories

Battery unit

Energy storage - MINI-BAT/24DC/0.8AH - 2866666



Energy storage device, lead AGM, VRLA technology, 24 V DC, 0.8 Ah.

Energy storage - MINI-BAT/24DC/1.3AH - 2866417



Energy storage device, lead AGM, VRLA technology, 24 V DC, 1.3 Ah.