

PT 2-PE/S-230AC/FM - Type 3 surge protection device



2858357

<https://www.phoenixcontact.com/us/products/2858357>

Please be informed that the data shown in this PDF document is generated from our online catalog. Please find the complete data in the user documentation. Our general terms of use for downloads are valid.



Pluggable type 3 arrester (device protection) for single-phase power supply networks with separate N and PE (3-conductor system: L1, N, PE) with remote indication contact.

Commercial data

Item number	2858357
Packing unit	1 pc
Note	Made to order (non-returnable)
Sales key	CL01
Product key	CL1411
Catalog page	Page 56 (C-6-2013)
GTIN	4017918878955
Weight per piece (including packing)	81 g
Weight per piece (excluding packing)	70.44 g
Customs tariff number	85363090
Country of origin	DE

PT 2-PE/S-230AC/FM - Type 3 surge protection device



2858357

<https://www.phoenixcontact.com/us/products/2858357>

Technical data

Product properties

Product type	Device protection
IEC power supply system	TT
	TN-S
Type	DIN rail module, two-section, divisible
Number of positions	2
Surge protection fault message	Optical, remote indicator contact

Insulation characteristics

Overvoltage category	III
Pollution degree	2
Arrester can be tested with CHECKMASTER from software version:	From SW rev. 1.00
IEC test classification	III
	T3
EN type	T3

Electrical properties

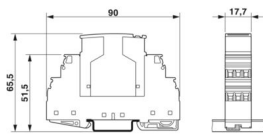
Indicator/remote signaling

Connection name	Remote fault indicator contact
Switching function	N/C contact
Maximum operating voltage U_{max} AC	250 V
Max. operating current I_{max}	3 A AC

Connection data

Connection method	Screw connection
Screw thread	M3
Tightening torque, min	0.8 Nm
Conductor cross section flexible min.	0.2 mm ²
Conductor cross section flexible max.	2.5 mm ²
Conductor cross section, rigid min.	0.2 mm ²
Conductor cross section, rigid max.	4 mm ²

Dimensions

Dimensional drawing	
Width	17.7 mm
Height	90 mm
Depth	65.5 mm

PT 2-PE/S-230AC/FM - Type 3 surge protection device



2858357

<https://www.phoenixcontact.com/us/products/2858357>

Horizontal pitch	1 Div.
Complete module width	17.7 mm
Complete module height	90 mm
Complete module depth	65.5 mm

Material specifications

Flammability rating according to UL 94	V-0
Housing material	PA 6.6

Protective circuit

Direction of action	1L-N & N-PE
Nominal frequency f_N	50 Hz
	60 Hz
Maximum continuous voltage U_C	253 V AC
Rated load current I_L	26 A (30 °C)
Residual current I_{PE}	$\leq 2.5 \mu\text{A}$
Standby power consumption P_C	$\leq 350.00 \text{ mVA}$
Nominal discharge current I_n (8/20) μs	3 kA
	3 kA (in acc. with UL 1449)
Nominal discharge current I_n (8/20) μs (L-N)	3 kA
Nominal discharge current I_n (8/20) μs (L-PE)	3 kA
Voltage protection level U_p (L-N)	$\leq 1.1 \text{ kV}$
	$\leq 1.5 \text{ kV}$
Voltage protection level U_p (L-PE)	$\leq 1.5 \text{ kV}$
	$\leq 600 \text{ V}$ (asymmetrical (PE) static)
Voltage protection level U_p (N-PE)	$\leq 1.5 \text{ kV}$
	$\leq 600 \text{ V}$ (asymmetrical (PE) static)
Residual voltage at I_n	$\leq 1.1 \text{ kV}$
	$\leq 600 \text{ V}$
	$\leq 600 \text{ V}$
Response time t_A (L-N)	$\leq 25 \text{ ns}$
Response time t_A (L-PE)	$\leq 100 \text{ ns}$
Max. required back-up fuse	25 A (gL)
	25 A (MCB 25 A B/C)
Short-circuit withstand capability I_p with max. backup fuse (r.m.s.)	1.5 kA

Environmental and real-life conditions

Ambient conditions

Degree of protection	IP20
	IP20
Ambient temperature (operation)	-40 °C ... 85 °C

Standards and regulations

Air clearances and creepage distances

PT 2-PE/S-230AC/FM - Type 3 surge protection device



2858357

<https://www.phoenixcontact.com/us/products/2858357>

Standards/regulations	DIN VDE 0110-1 / IEC 60664-1
-----------------------	------------------------------

Standards

Standards/regulations	IEC 61643-1
	EN 61643-11/A11
	NF C61-740
	IEC 61643-1
	EN 61643-11/A11
	UL 1449
	NF C61-740
Standards/specifications	IEC 61643-1
Note	2005
Standards/specifications	EN 61643-11/A11
Note	2007
Standards/specifications	UL 1449

Mounting

Mounting type	DIN rail: 35 mm
---------------	-----------------

PT 2-PE/S-230AC/FM - Type 3 surge protection device

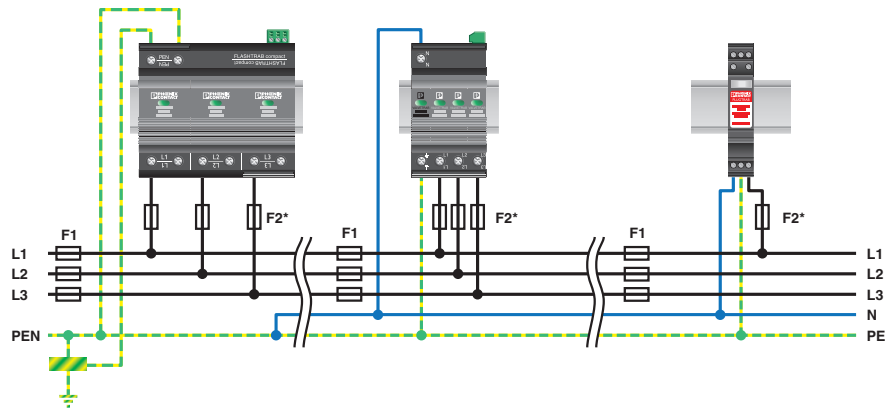


2858357

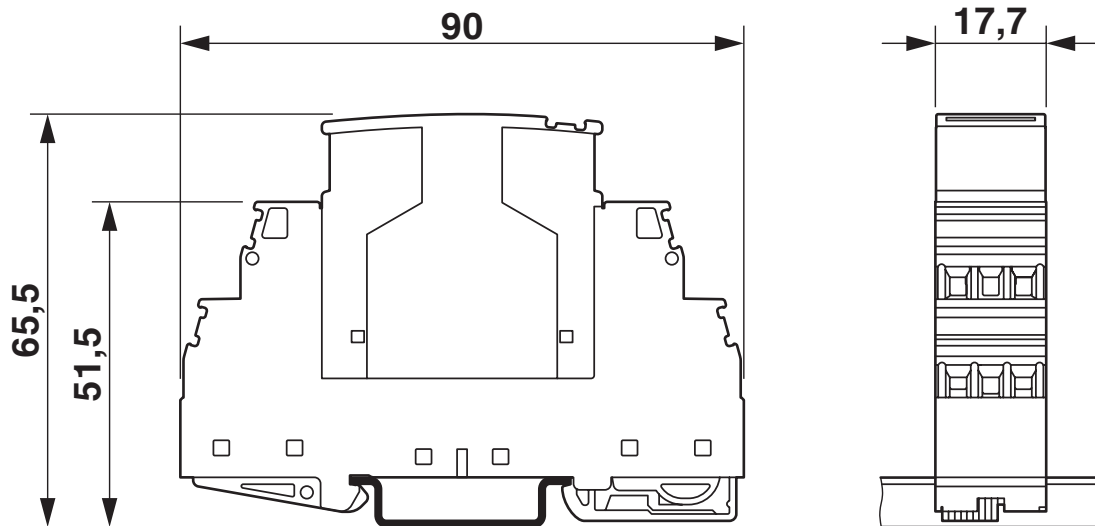
<https://www.phoenixcontact.com/us/products/2858357>

Drawings

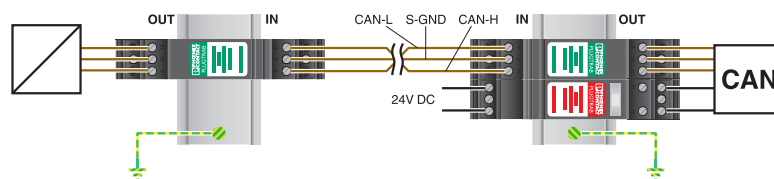
Application drawing



Dimensional drawing



Application drawing

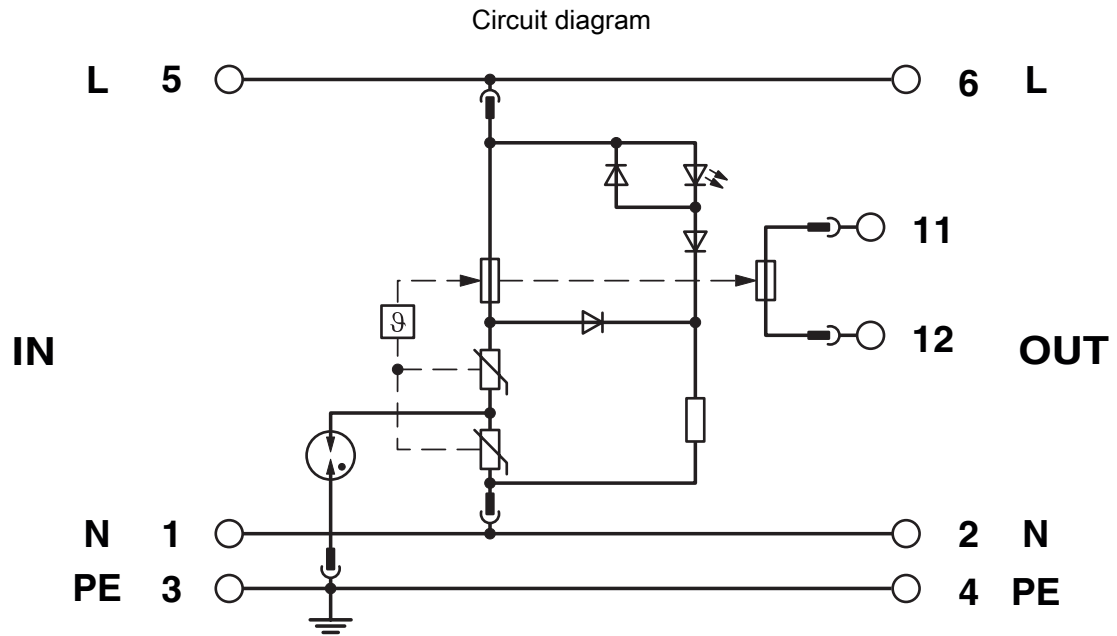


PT 2-PE/S-230AC/FM - Type 3 surge protection device



2858357

<https://www.phoenixcontact.com/us/products/2858357>



2858357

<https://www.phoenixcontact.com/us/products/2858357>

Accessories

X-PEN 0,35 - Marker pen

0811228

<https://www.phoenixcontact.com/us/products/0811228>



Marker pen without ink cartridge, for manual labeling of markers, labeling extremely wipe-proof, line thickness 0.35 mm

ZBF 5:UNBEDRUCKT - Zack Marker strip, flat

0808642

<https://www.phoenixcontact.com/us/products/0808642>



Zack Marker strip, flat, Strip, white, unlabeled, can be labeled with: PLOTMARK, CMS-P1-PLOTTER, mounting type: snapped, for terminal block width: 5 mm, lettering field size: 5.1 x 5.2 mm, Number of individual labels: 10

PT 2-PE/S-230AC/FM - Type 3 surge protection device



2858357

<https://www.phoenixcontact.com/us/products/2858357>

ZBF 5/WH-100:UNBEDRUCKT - Zack Marker strip, flat

0808668

<https://www.phoenixcontact.com/us/products/0808668>



Zack Marker strip, flat, Strip, white, unlabeled, can be labeled with: CMS-P1-PLOTTER, PLOTMARK, mounting type: snapped, for terminal block width: 5 mm, lettering field size: 5.15 x 5.15 mm, Number of individual labels: 1000

ZBF 5,LGS:FORTL.ZAHLEN - Zack Marker strip, flat

0808671

<https://www.phoenixcontact.com/us/products/0808671>



Zack Marker strip, flat, Strip, white, labeled, printed horizontally: consecutive numbers 1 ... 10, 11 ... 20, etc. up to 491 ... 500, mounting type: snapped, for terminal block width: 5 mm, lettering field size: 5.15 x 5.15 mm, Number of individual labels: 10

PT 2-PE/S-230AC/FM - Type 3 surge protection device



2858357

<https://www.phoenixcontact.com/us/products/2858357>

ZBF 5,LGS:GERADE ZAHLEN - Zack Marker strip, flat

0810821

<https://www.phoenixcontact.com/us/products/0810821>



Zack Marker strip, flat, Strip, white, labeled, printed horizontally: consecutive even numbers 2 ... 20, 22 ... 40, etc. up to 82 ... 100, mounting type: snapped, for terminal block width: 5 mm, lettering field size: 5.15 x 5.15 mm, Number of individual labels: 10

ZBF 5,LGS:UNGERADE ZAHLEN - Zack Marker strip, flat

0810863

<https://www.phoenixcontact.com/us/products/0810863>



Zack Marker strip, flat, Strip, white, labeled, printed horizontally: Odd numbers 1 - 19, 21 - 39, etc. up to 81 - 99, mounting type: snapped, for terminal block width: 5 mm, lettering field size: 5.15 x 5.15 mm, Number of individual labels: 10

PT 2-PE/S-230AC/FM - Type 3 surge protection device



2858357

<https://www.phoenixcontact.com/us/products/2858357>

ZBF 5,QR:FORTL.ZAHLEN - Zack Marker strip, flat

0808697

<https://www.phoenixcontact.com/us/products/0808697>



Zack Marker strip, flat, Strip, white, labeled, Printed vertically: consecutive numbers 1 ... 10, 11 ... 20, etc. up to 91 ... 100, mounting type: snapped, for terminal block width: 5 mm, lettering field size: 5.15 x 5.15 mm, Number of individual labels: 10

ZBN 18:UNBEDRUCKT - Zack marker strip

2809128

<https://www.phoenixcontact.com/us/products/2809128>



Zack marker strip, Strip, white, unlabeled, can be labeled with: CMS-P1-PLOTTER, PLOTMARK, mounting type: snapped, for terminal block width: 18 mm, lettering field size: 18 x 5 mm, Number of individual labels: 5

PT 2-PE/S-230AC/FM - Type 3 surge protection device



2858357

<https://www.phoenixcontact.com/us/products/2858357>

SSA 3-6 - Shield connection

2839295

<https://www.phoenixcontact.com/us/products/2839295>

Shield fast connection for 3 ... 6 mm cable diameter. Potential connecting cable:
200 mm, 1 mm², color: black



SSA 5-10 - Shield connection

2839512

<https://www.phoenixcontact.com/us/products/2839512>

Shield fast connection for 5 ... 10 mm cable diameter. Potential connecting cable:
200 mm, 1 mm², color: black



PT 2-PE/S-230AC/FM - Type 3 surge protection device



2858357

<https://www.phoenixcontact.com/us/products/2858357>

PT 2-PE/S-230AC-ST - Type 3 surge protection plug

2839347

<https://www.phoenixcontact.com/us/products/2839347>



Type 3 arrester replacement plug (device protection) for 1-phase power supply networks with separate N and PE (3-conductor system: L1, N, PE).

Phoenix Contact 2024 © - all rights reserved

<https://www.phoenixcontact.com>

Phoenix Contact USA
586 Fulling Mill Road
Middletown, PA 17057, United States
(+717) 944-1300
info@phoenixcon.com