

# QUINT4-CAP/24DC/5/4KJ - Capacity module



2320539

<https://www.phoenixcontact.com/us/products/2320539>

Please be informed that the data shown in this PDF document is generated from our online catalog. Please find the complete data in the user documentation. Our general terms of use for downloads are valid.



QUINT capacity module, with maintenance-free energy storage based on double-layer capacitor, DIN rail mounting, input: 24 V DC, output: 24 V DC / 5 A / 4 kJ incl. mounted UTA 107 universal DIN rail adapter. The "POWER MANAGEMENT SUITE" software (Item No. 1252232) available in the download area can be used for configuration.

## Product description

The maintenance-free QUINT CAP capacity module is ideal for cyclical failures lasting up to 30 seconds. It combines an electronic switch-over unit and maintenance-free, capacitor-based energy storage in the same housing. The USB interface makes it convenient to shut down your PC.

## Your advantages

- Convenient shutdown of PCs
- Maintenance-free with a long service life
- Space savings, thanks to the compact design
- Long buffer time, thanks to high memory capacity
- Lockable USB interface for connecting to industrial PCs, for example

## Commercial data

Item number	2320539
Packing unit	1 pc
Minimum order quantity	1 pc
Sales key	CM21
Product key	CMUIC3
Catalog page	Page 346 (C-4-2019)
GTIN	4055626246918
Weight per piece (including packing)	1,474 g
Weight per piece (excluding packing)	1,243 g
Customs tariff number	85322900
Country of origin	CN

## Technical data

### Input data

Input voltage	24 V DC (SELV)
Input voltage range	22.5 V DC ... 30 V DC
Fixed backup threshold	< 22 V DC
	> 30 V DC
Current consumption $I_N$ ( $U_N, I_{OUT} = I_N, I_{charge} = 0$ )	7 A (max.)
Current consumption $I_{max}$ ( $U_N, I_{OUT} = I_{Stat.Boost}, I_{charge} = max$ )	7 A
Current consumption $I_{No-Load}$ ( $U_N, I_{OUT} = 0, I_{charge} = 0$ )	0.1 A (No-load)
Current consumption $I_{charge}$ ( $U_N, I_{OUT} = 0, I_{charge} = max$ )	0.8 A (charging process)
Power consumption $P_{max}$ ( $U_N, I_{OUT} = I_{Stat.Boost}, I_{charge} = max$ )	180 W
Power consumption $P_N$ ( $U_N, I_{OUT} = I_N, I_{charge} = 0$ )	124 W
Power consumption $P_{charge}$ ( $U_N, I_{OUT} = 0, I_{charge} = max$ )	24 W
Buffer time	3 min. (1 A)
	30 s (5 A)
	30 s (5 A)
Charging time	approx. 18 min.
Recharging time	approx. 12 min.
Inrush current	$\leq 7$ A ( $\leq 4$ ms)
Switch-on time	1 ms (buffer mode)
Internal input fuse	no
Dielectric strength	max. 35 V DC (Reverse polarity protection)
Voltage drop, input/output	0.5 V DC

### Output data

Efficiency	> 97 % (with charged energy storage device)
Connection in parallel	no
Connection in series	No

### Mains operation

Output voltage	24 V DC (depending on the input voltage)
Output current $I_N$	5 A
Static Boost ( $I_{Stat.Boost}$ )	6.25 A
Output power $P_{OUT}$ ( $U_N, I_{OUT} = I_N$ )	120 W
Output power $P_{OUT}$ ( $U_N, I_{OUT} = I_{Stat.Boost}$ )	150 W
Power dissipation No load ( $U_N, I_{Out} = 0, I_{Charge} = 0$ )	2.5 W
Power dissipation Nominal load ( $U_N, I_{Out} = I_N, I_{Charge} = 0$ )	4 W
Short-circuit-proof	yes (with input fuse)
Idling-proof	yes

### Battery operation

Output voltage	22 V DC (typical)
Output current $I_N$	5 A (depending on output current)

# QUINT4-CAP/24DC/5/4KJ - Capacity module



2320539

<https://www.phoenixcontact.com/us/products/2320539>

Static Boost ( $I_{\text{Stat.Boost}}$ )	6.25 A
Output power $P_{\text{OUT}}$ ( $U_{\text{N}}$ , $I_{\text{OUT}} = I_{\text{N}}$ )	120 W
Output power $P_{\text{OUT}}$ ( $U_{\text{N}}$ , $I_{\text{OUT}} = I_{\text{stat.Boost}}$ )	150 W
Short-circuit-proof	yes
Idling-proof	yes

## Energy storage

### Input

Nominal capacity	0.04 Ah
------------------	---------

### General

Capacity	4 kJ
IQ-Technology	no
Storage medium	Double-layer capacitor
Buffer time	3 min. (1 A)
	30 s (5 A)
	30 s (5 A)

## Connection data

### Input

Position	1.x
----------	-----

### Conductor connection

Connection method	Screw connection
rigid	0.2 mm <sup>2</sup> ... 2.5 mm <sup>2</sup>
flexible	0.2 mm <sup>2</sup> ... 2.5 mm <sup>2</sup>
flexible with ferrule without plastic sleeve	0.25 mm <sup>2</sup> ... 2.5 mm <sup>2</sup>
flexible with ferrule with plastic sleeve	0.25 mm <sup>2</sup> ... 2.5 mm <sup>2</sup>
rigid (AWG)	30 ... 12
Stripping length	6.5 mm
Tightening torque	0.5 Nm ... 0.6 Nm
Drive form screw head	Slotted L

### 2-conductor connection

rigid	0.2 mm <sup>2</sup> ... 0.75 mm <sup>2</sup>
flexible	0.2 mm <sup>2</sup> ... 0.75 mm <sup>2</sup>
flexible with TWIN ferrule with plastic sleeve	0.5 mm <sup>2</sup> ... 1.5 mm <sup>2</sup>

### Output

Position	2.x
----------	-----

### Conductor connection

Connection method	Screw connection
rigid	0.2 mm <sup>2</sup> ... 2.5 mm <sup>2</sup>
flexible	0.2 mm <sup>2</sup> ... 2.5 mm <sup>2</sup>

# QUINT4-CAP/24DC/5/4KJ - Capacity module



2320539

<https://www.phoenixcontact.com/us/products/2320539>

flexible with ferrule without plastic sleeve	0.25 mm <sup>2</sup> ... 2.5 mm <sup>2</sup>
flexible with ferrule with plastic sleeve	0.25 mm <sup>2</sup> ... 2.5 mm <sup>2</sup>
rigid (AWG)	30 ... 12
Stripping length	6.5 mm
Tightening torque	0.5 Nm ... 0.6 Nm
Drive form screw head	Slotted L

## 2-conductor connection

rigid	0.2 mm <sup>2</sup> ... 0.75 mm <sup>2</sup>
flexible	0.2 mm <sup>2</sup> ... 0.75 mm <sup>2</sup>
flexible with TWIN ferrule with plastic sleeve	0.5 mm <sup>2</sup> ... 1.5 mm <sup>2</sup>

## Signal

Position	3.x
----------	-----

## Conductor connection

Connection method	Push-in connection
rigid	0.2 mm <sup>2</sup> ... 1.5 mm <sup>2</sup>
flexible	0.2 mm <sup>2</sup> ... 1.5 mm <sup>2</sup>
flexible with ferrule without plastic sleeve	0.2 mm <sup>2</sup> ... 1.5 mm <sup>2</sup>
flexible with ferrule with plastic sleeve	0.2 mm <sup>2</sup> ... 0.75 mm <sup>2</sup>
rigid (AWG)	24 ... 18
Stripping length	8 mm

## Interfaces

Interface	USB (Modbus/RTU)
Number of interfaces	1
Connection method	MINI-USB Type B
Position	5.x
Locking	Screw
Transmission physics	USB 2.0
Topology	Point-to-point
Transmission speed	9600 baud
Transmission length	max. 5 m
Access time	≤ 2 s
Chipset	Silicon Labs CP2104-F03-GM
Electrical isolation	Yes, UL approved

## Signaling

### Signal state Remote

Connection labeling	3.5
Channel	DI (digital input)
State (configurable)	Remote
State condition	Remote
Low signal	<3 kΩ to SGnd

# QUINT4-CAP/24DC/5/4KJ - Capacity module



2320539

<https://www.phoenixcontact.com/us/products/2320539>

High signal	open (>470 kΩ between Remote and SGnd)
Signal - state assignment	low - active
Reference potential	3.6 (SGnd, identical to 1.2, 2.2)

## Signal state Alarm

Connection labeling	3.3
Channel	DO (digital output)
Switching output	Transistor
State (configurable)	Group alarm
State condition (configurable)	Alarm
Output voltage	24 V ( $U_N - 1$ V (typical))
Output can be loaded	max. 20 mA
State - signal assignment	active - low
Reference potential	3.6 (SGnd, identical to 1.2, 2.2)
LED status indicator	red (Alarm)

## Signal state UIN OK

Connection labeling	3.1, 3.2
Channel	DO (digital output)
Switching output	Electronic relays (OptoMOS)
State (configurable)	$U_{in}$ OK
State condition (configurable)	$U_{in} > 22,5$ V DC, $U_{in} < 30$ V DC
Output voltage	max. 30 V
Output can be loaded	300 mA
State - signal assignment	active - high
LED status indicator	green ( $U_{in}$ OK)

## Signal state Ready

Connection labeling	3.4
Channel	DO (digital output)
Switching output	Transistor
State (configurable)	Ready
State condition (configurable)	State of charge = 100% or buffer mode
Output voltage	24 V ( $U_N - 1$ V (typical))
Output can be loaded	max. 20 mA
State - signal assignment	active - high
Reference potential	3.6 (SGnd, identical to 1.2, 2.2)
LED status indicator	Green (state of charge - SOC)

## Signal ground SGnd

Connection labeling	3.6
Switching voltage	0 V
Current carrying capacity	max. 60 mA
Function	Signal ground
Reference potential	3.3 Alarm, 3.4 Ready, 3.5 Remote

# QUINT4-CAP/24DC/5/4KJ - Capacity module



2320539

<https://www.phoenixcontact.com/us/products/2320539>

## Electrical properties

Insulation voltage input, output / housing	500 V
--	-------

## Product properties

Product type	DC UPS with integrated capacitor
Product family	QUINT capacity module
MTBF (IEC 61709, SN 29500)	1900327 h (25 °C)
	1301923 h (40 °C)
	673204 h (60 °C)

## Insulation characteristics

Protection class	III (SELV)
Degree of pollution	2

## Life expectancy (electrolytic capacitors)

Time	87088 h
------	---------

## Dimensions

### Item dimensions

Width	94 mm
Height	130 mm
Depth	125 mm

### Installation dimensions

Installation distance right/left	0 mm / 0 mm
Installation distance top/bottom	50 mm / 50 mm

## Mounting

Mounting type	DIN rail mounting
Assembly instructions	alignable: horizontally 0 mm, vertically 50 mm
Mounting position	horizontal DIN rail NS 35, EN 60715

## Material specifications

Flammability rating according to UL 94 (housing / terminal blocks)	V0
Housing material	Metal

## Environmental and real-life conditions

### Ambient conditions

Degree of protection	IP20
Ambient temperature (operation)	-25 °C ... 60 °C (> 40 °C Derating: 1 %/K)
Ambient temperature (storage/transport)	-40 °C ... 60 °C
Ambient temperature (start-up type tested)	-40 °C
Maximum altitude	≤ 4000 m

# QUINT4-CAP/24DC/5/4KJ - Capacity module



2320539

<https://www.phoenixcontact.com/us/products/2320539>

Climatic class	3K3 (in acc. with EN 60721)
Max. permissible relative humidity (operation)	≤ 95 %
Shock	30g, 18 ms per spatial direction (in accordance with IEC 60068-2-27)
Vibration (operation)	0,7g

## Standards and regulations

### Overvoltage category

UL 60950-1	II
------------	----

### Protective extra-low voltage

Standard designation	Protective extra-low voltage
Standards/specifications	UL 61010-2-201

## Approvals

### UL

Identification	UL/C-UL Listed UL 508
----------------	-----------------------

### UL

Identification	UL/C-UL Recognized UL 60950-1
----------------	-------------------------------

### UL

Identification	UL ANSI/ISA-12.12.01 Class I, Division 2, Groups A, B, C, D (Hazardous Location)
----------------	--

### UL

Identification	CAN/CSA-C22.2 No. 107.1-01
----------------	----------------------------

### CB scheme

Identification	UL 60950-1
----------------	------------

## EMC data

Low Voltage Directive	Conformance with Low Voltage Directive 2014/35/EC
EMC requirements for noise emission	EN 61000-6-3
	EN 61000-6-4
EMC requirements for noise immunity	EN 61000-6-1
	EN 61000-6-2
Electromagnetic compatibility	Conformance with EMC Directive 2014/30/EU
Noise emission	EN 55016
	EN 61000-6-3

### Electrostatic discharge

Standards/regulations	EN 61000-4-2
-----------------------	--------------

### Electrostatic discharge

Contact discharge	6 kV (Test Level 3)
Discharge in air	8 kV (Test Level 3)

# QUINT4-CAP/24DC/5/4KJ - Capacity module



2320539

<https://www.phoenixcontact.com/us/products/2320539>

Comments	Criterion B
Electromagnetic HF field	
Standards/regulations	EN 61000-4-3
Electromagnetic HF field	
Frequency range	80 MHz ... 6 GHz
Test field strength	10 V/m
Comments	Criterion A
Fast transients (burst)	
Standards/regulations	EN 61000-4-4
Fast transients (burst)	
Input	2 kV (Test Level 3 - asymmetrical)
Output	2 kV (Test Level 3 - asymmetrical)
Signal	2 kV (Test Level 3 - asymmetrical)
Comments	Criterion B
Surge voltage load (surge)	
Standards/regulations	EN 61000-4-5
Signal	1 kV (Test Level 2 - asymmetrical)
Comments	Criterion B
Input/Output	1 kV (Test Level 2 - symmetrical) 2 kV (Test Level 3 - asymmetrical)
Conducted interference	
Standards/regulations	EN 61000-4-6
Conducted interference	
Frequency range	0.15 MHz ... 80 MHz
Comments	Criterion A
Voltage	10 V
Criteria	
Criterion A	Normal operating behavior within the specified limits.
Criterion B	Temporary impairment to operational behavior that is corrected by the device itself.



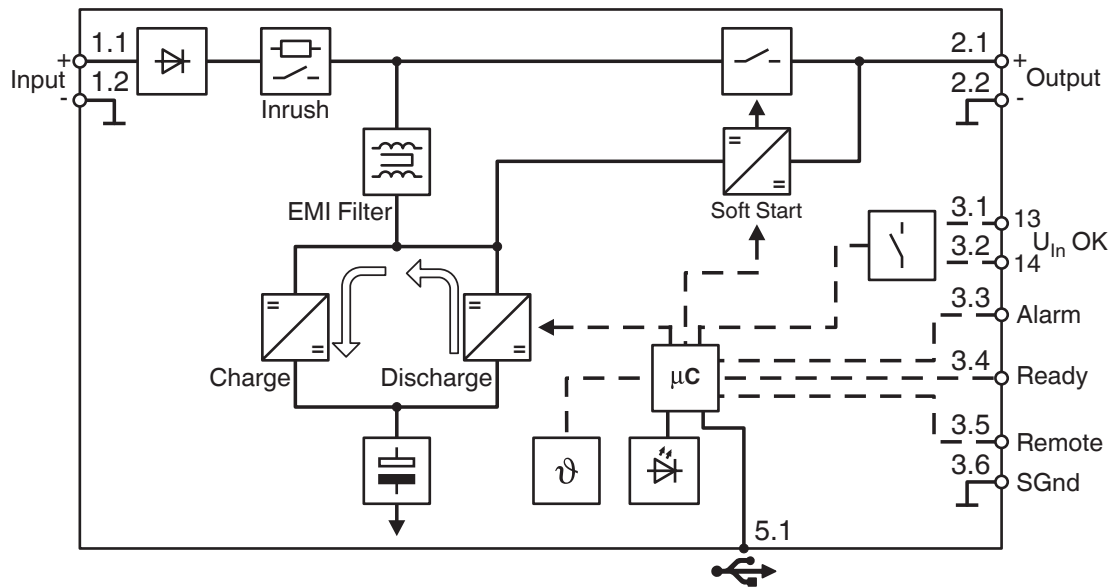
# QUINT4-CAP/24DC/5/4KJ - Capacity module

2320539

<https://www.phoenixcontact.com/us/products/2320539>

## Drawings

Block diagram



# QUINT4-CAP/24DC/5/4KJ - Capacity module



2320539

<https://www.phoenixcontact.com/us/products/2320539>

## Approvals

To download certificates, visit the product detail page: <https://www.phoenixcontact.com/us/products/2320539>



**cUL Recognized**  
Approval ID: FILE E 211944



**UL Recognized**  
Approval ID: FILE E 211944



**EAC**  
Approval ID: RU S-DE.BL08.W.00764



**UL Listed**  
Approval ID: FILE E 123528



**cUL Listed**  
Approval ID: FILE E 123528



**EAC**  
Approval ID: RU\*DE\*HB54.B05799/20



**cUL Listed**  
Approval ID: FILE E 199827



**UL Listed**  
Approval ID: FILE E 199827

**cULus Recognized**

**cULus Listed**

**cULus Listed**

# QUINT4-CAP/24DC/5/4KJ - Capacity module



2320539

<https://www.phoenixcontact.com/us/products/2320539>

## Classifications

### ECLASS

ECLASS-11.0	27040705
ECLASS-12.0	27040705
ECLASS-13.0	27040705

### ETIM

ETIM 8.0	EC000382
----------	----------

### UNSPSC

UNSPSC 21.0	26111700
-------------	----------

# QUINT4-CAP/24DC/5/4KJ - Capacity module



2320539

<https://www.phoenixcontact.com/us/products/2320539>

## Environmental product compliance

REACH SVHC	Lead 7439-92-1
China RoHS	Environmentally Friendly Use Period = 25; For information on hazardous substances, refer to the manufacturer's declaration available under "Downloads"

# QUINT4-CAP/24DC/5/4KJ - Capacity module



2320539

<https://www.phoenixcontact.com/us/products/2320539>

## Accessories

### UWA 130 - Mounting adapter

2901664

<https://www.phoenixcontact.com/us/products/2901664>



2-piece universal wall adapter for securely mounting the device in the event of strong vibrations. The profiles that are screwed onto the side of the device are screwed directly onto the mounting surface. The universal wall adapter is attached on the left/right.

---

### UWA 182/52 - Mounting adapter

2938235

<https://www.phoenixcontact.com/us/products/2938235>



Universal wall adapter for securely mounting the device in the event of strong vibrations. The device is screwed directly onto the mounting surface. The universal wall adapter is attached on the top/bottom.

# QUINT4-CAP/24DC/5/4KJ - Capacity module

2320539

<https://www.phoenixcontact.com/us/products/2320539>



## MINI-SCREW-USB-DATACABLE - Data cable

2908217

<https://www.phoenixcontact.com/us/products/2908217>

Used for communication between an industrial PC and Phoenix Contact devices with USB-Mini-B connection.



---

## POWER MANAGEMENT SUITE - Configuration software

1252232

<https://www.phoenixcontact.com/us/products/1252232>

Configuration and management software



---

Phoenix Contact 2023 © - all rights reserved

<https://www.phoenixcontact.com>

Phoenix Contact USA  
586 Fulling Mill Road  
Middletown, PA 17057, United States  
(+717) 944-1300  
[info@phoenixcon.com](mailto:info@phoenixcon.com)