

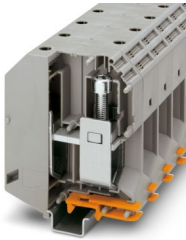
UKH 240 - High-current terminal block



3010217

<https://www.phoenixcontact.com/us/products/3010217>

Please be informed that the data shown in this PDF document is generated from our online catalog. Please find the complete data in the user documentation. Our general terms of use for downloads are valid.



High-current terminal block, nom. voltage: 1000 V, nominal current: 415 A, number of connections: 2, connection method: Screw connection, Rated cross section: 240 mm², cross section: 70 mm² - 240 mm², mounting type: NS 35/15, NS 32, color: gray

Your advantages

- Reliable cable connection is ensured by three-point centering of the conductor in the prismatic sleeve base
- Low contact resistance of the contact surface due to ribbing
- Screw locking by means of spring-loaded elements in the clamping part

Commercial data

Item number	3010217
Packing unit	3 pc
Minimum order quantity	3 pc
Sales key	BE13
Product key	BE1311
Catalog page	Page 199 (C-1-2019)
GTIN	4017918091873
Weight per piece (including packing)	487.667 g
Weight per piece (excluding packing)	476 g
Customs tariff number	85369010
Country of origin	IN

UKH 240 - High-current terminal block



3010217

<https://www.phoenixcontact.com/us/products/3010217>

Technical data

Notes

General

Note	For a reliable contact of multi stranded conductors it is recommended to untwist multi stranded conductors.
------	---

Product properties

Product type	High current terminal block
Number of connections	2
Number of rows	1
Potentials	1

Insulation characteristics

Overvoltage category	III
Degree of pollution	3

Electrical properties

Rated surge voltage	8 kV
Maximum power dissipation for nominal condition	13.78 W

Connection data

Number of connections per level	2
Nominal cross section	240 mm ²

Level 1 above 1 below 1

Screw thread	M10
Note	Screws with hexagonal socket
Tightening torque	25 ... 30 Nm
Stripping length	40 mm
Internal cylindrical gage	B15
Connection in acc. with standard	IEC 60947-7-1
Conductor cross section rigid	70 mm ² ... 240 mm ²
Cross section AWG	3/0 ... 250 kcmil (converted acc. to IEC)
Conductor cross section flexible	70 mm ² ... 240 mm ²
Conductor cross section, flexible [AWG]	3/0 ... 350 kcmil (converted acc. to IEC)
Conductor cross-section flexible (ferrule without plastic sleeve)	70 mm ² ... 185 mm ²
Flexible conductor cross section (ferrule with plastic sleeve)	70 mm ² ... 185 mm ²
Cross-section with insertion bridge, rigid	240 mm ²
Cross-section with insertion bridge, flexible	185 mm ²
2 conductors with same cross section, solid	35 mm ² ... 95 mm ²
2 conductors with same cross section, flexible	50 mm ² ... 95 mm ²
2 conductors with same cross section, flexible, with ferrule without plastic sleeve	35 mm ² ... 50 mm ²

UKH 240 - High-current terminal block



3010217

<https://www.phoenixcontact.com/us/products/3010217>

Nominal current	415 A
Maximum load current	415 A (with 240 mm ² conductor cross section)
Nominal voltage	1000 V
Note	Note: Product releases, connection cross sections and notes on connecting aluminum cables can be found in the download area.
Nominal cross section	240 mm ²

Ex data

Rated data (ATEX/IECEX)

Identification	⊕ II 2 GD Ex eb IIC Gb
Operating temperature range	-60 °C ... 110 °C
Ex-certified accessories	1201947 VDE-ISS 8 1201659 E/AL-NS 32 1201662 E/AL-NS 35
List of bridges	Insertion bridge / EB 2-36/UKH / 0201401 Insertion bridge / EB 3-36/UKH / 0201414
Bridge data	270 A / 240 mm ²
Ex temperature increase	40 K (389 A/240 mm ²)
Rated voltage	1100 V
at bridging with insertion bridge	690 V
Rated insulation voltage	1000 V
output	(Permanent)

Ex level General

Rated current	350 A
Maximum load current	350 A
Contact resistance	0.03 mΩ

Ex connection data General

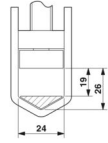
Stripping length	40 mm
Torque range	25 Nm ... 30 Nm
Nominal cross section	240 mm ²
Rated cross section AWG	500 kcmil
Connection capacity rigid	70 mm ² ... 240 mm ²
Connection capacity AWG	2/0 ... 500 kcmil
Connection capacity flexible	70 mm ² ... 240 mm ²
Connection capacity AWG	2/0 ... 500 kcmil
2 conductors with same cross section, solid	35 mm ² ... 95 mm ²
2 conductors with the same cross-section AWG rigid	2 ... 3/0
2 conductors with same cross section, stranded	50 mm ² ... 95 mm ²
2 conductors with the same cross-section AWG flexible	1/0 ... 3/0

Dimensions

UKH 240 - High-current terminal block

3010217

<https://www.phoenixcontact.com/us/products/3010217>

Dimensional drawing	
Width	36 mm
Height	100 mm
Depth	123.6 mm
Depth on NS 32	129 mm
Depth on NS 35/15	131.5 mm

Material specifications

Color	gray
Flammability rating according to UL 94	V0
Insulating material group	I
Insulating material	PA
Static insulating material application in cold	-60 °C
Relative insulation material temperature index (Elec., UL 746 B)	130 °C
Fire protection for rail vehicles (DIN EN 45545-2) R22	HL 1 - HL 3
Fire protection for rail vehicles (DIN EN 45545-2) R23	HL 1 - HL 3
Fire protection for rail vehicles (DIN EN 45545-2) R24	HL 1 - HL 3
Fire protection for rail vehicles (DIN EN 45545-2) R26	HL 1 - HL 3
Surface flammability NFPA 130 (ASTM E 162)	passed
Specific optical density of smoke NFPA 130 (ASTM E 662)	passed
Smoke gas toxicity NFPA 130 (SMP 800C)	passed

Electrical tests

Surge voltage test

Result	Test passed
Short-time withstand current 240 mm ²	28.8 kA
Result	Test passed

Power-frequency withstand voltage

Test voltage setpoint	2.2 kV
Result	Test passed

Mechanical properties

Mechanical data

Open side panel	No
-----------------	----

Mechanical tests

Mechanical strength

Result	Test passed
--------	-------------

Attachment on the carrier

DIN rail/fixing support	NS 32/NS 35
Result	Test passed

Test for conductor damage and slackening

Rotation speed	10 (+/- 2) rpm
Revolutions	135
Conductor cross section/weight	70 mm ² /10.4 kg 240 mm ² /20.0 kg
Result	Test passed

Environmental and real-life conditions

Needle-flame test

Time of exposure	30 s
Result	Test passed

Oscillation/broadband noise

Specification	DIN EN 50155 (VDE 0115-200):2022-06
Spectrum	Service life test category 2, bogie-mounted
Frequency	$f_1 = 5 \text{ Hz}$ to $f_2 = 250 \text{ Hz}$
ASD level	6.12 (m/s ²) ² /Hz
Acceleration	3.12g
Test duration per axis	5 h
Test directions	X-, Y- and Z-axis
Result	Test passed

Shocks

Specification	DIN EN 50155 (VDE 0115-200):2022-06
Pulse shape	Half-sine
Acceleration	5g
Shock duration	30 ms
Number of shocks per direction	3
Test directions	X-, Y- and Z-axis (pos. and neg.)
Result	Test passed

Ambient conditions

Ambient temperature (operation)	-60 °C ... 110 °C (Operating temperature range incl. self-heating; for max. short-term operating temperature, see RTI Elec.)
Ambient temperature (storage/transport)	-25 °C ... 60 °C (for a short time, no longer than 24 h, -60°C to +70°C)
Ambient temperature (assembly)	-5 °C ... 70 °C
Ambient temperature (actuation)	-5 °C ... 70 °C
Permissible humidity (operation)	20 % ... 90 %
Permissible humidity (storage/transport)	30 % ... 70 %

Standards and regulations

UKH 240 - High-current terminal block



3010217

<https://www.phoenixcontact.com/us/products/3010217>

Connection in acc. with standard	IEC 60947-7-1
----------------------------------	---------------

Mounting

Mounting type	NS 35/15
	NS 32

UKH 240 - High-current terminal block

3010217

<https://www.phoenixcontact.com/us/products/3010217>

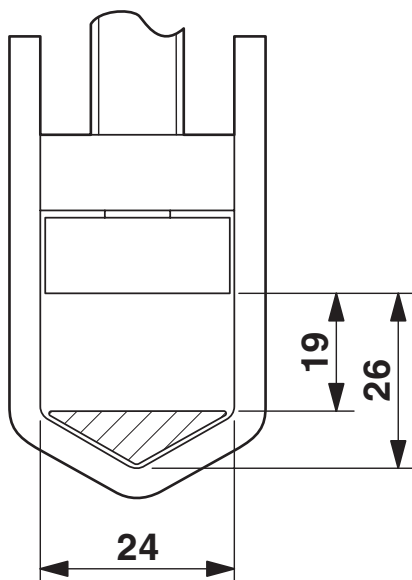


Drawings

Circuit diagram



Dimensional drawing

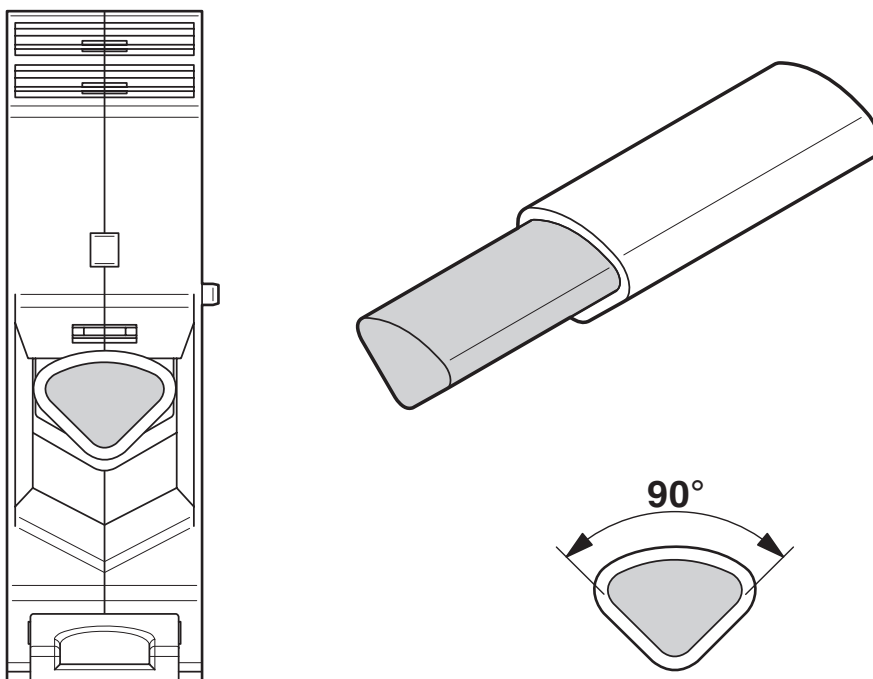


UKH 240 - High-current terminal block

3010217

<https://www.phoenixcontact.com/us/products/3010217>

Schematic diagram



Connecting aluminum cables. Further notes can be found in the download area

UKH 240 - High-current terminal block



3010217

<https://www.phoenixcontact.com/us/products/3010217>

Approvals

To download certificates, visit the product detail page: <https://www.phoenixcontact.com/us/products/3010217>

DNV

Approval ID: TAE00001CT



CSA

Approval ID: 13631

	Nominal voltage U_N	Nominal current I_N	Cross section AWG	Cross section mm^2
Use group B	600 V	400 A	1/0 - 500	-
Use group C	600 V	400 A	1/0 - 500	-



EAC

Approval ID: RU C-DE.BL08.B.00534



cULus Recognized

Approval ID: E60425

	Nominal voltage U_N	Nominal current I_N	Cross section AWG	Cross section mm^2
Use group B	600 V	380 A	2/0 - 500	-
Multi-conductor connection	600 V	380 A	2 - 3/0	-
Use group C	600 V	380 A	2/0 - 500	-
Multi-conductor connection	600 V	380 A	2 - 3/0	-



LR

Approval ID: LR2041789TA-02



ATEX

Approval ID: KEMA99ATEX8332U

	Nominal voltage U_N	Nominal current I_N	Cross section AWG	Cross section mm^2
Type examination certificate	1100 V	350 A	-	70 - 240



cUL Recognized

Approval ID: E192998

UKH 240 - High-current terminal block



3010217

<https://www.phoenixcontact.com/us/products/3010217>

	Nominal voltage U_N	Nominal current I_N	Cross section AWG	Cross section mm^2
	600 V	380 A	2/0 - 500	-



EAC Ex

Approval ID: RU C-DE.HA91.B.00066



IEC Ex

Approval ID: IECEx KEM 06.0030U

	Nominal voltage U_N	Nominal current I_N	Cross section AWG	Cross section mm^2
	1100 V	350 A	-	70 - 240



UL Recognized

Approval ID: E192998

	Nominal voltage U_N	Nominal current I_N	Cross section AWG	Cross section mm^2
	600 V	380 A	2/0 - 500	-



CCC

Approval ID: 2020322313000623



UKCA-EX

Approval ID: DEKRA 21UKEX0309U

cULus Recognized

UKH 240 - High-current terminal block



3010217

<https://www.phoenixcontact.com/us/products/3010217>

Classifications

ECLASS

ECLASS-11.0	27141120
ECLASS-13.0	27250101

ETIM

ETIM 9.0	EC000897
----------	----------

UNSPSC

UNSPSC 21.0	39121400
-------------	----------

UKH 240 - High-current terminal block



3010217

<https://www.phoenixcontact.com/us/products/3010217>

Environmental product compliance

EU RoHS

Fulfills EU RoHS substance requirements	Yes, No exemptions
---	--------------------

China RoHS

Environment friendly use period (EFUP)	EFUP-E
	No hazardous substances above the limits

EU REACH SVHC

REACH candidate substance (CAS No.)	No substance above 0.1 wt%
-------------------------------------	----------------------------

EF3.0 Climate Change


CO2e kg	1.673 kg CO2e
---------	---------------

UKH 240 - High-current terminal block

3010217

<https://www.phoenixcontact.com/us/products/3010217>

Accessories

 Note: Applying some accessories below might limit this product.


EB 3-36/UKH - Insertion bridge

0201414

<https://www.phoenixcontact.com/us/products/0201414>



Insertion bridge, pitch: 36 mm, number of positions: 3, color: gray

 Max. current carrying capacity: 320 A

EB 2-36/UKH - Insertion bridge

0201401

<https://www.phoenixcontact.com/us/products/0201401>



Insertion bridge, pitch: 36 mm, number of positions: 2, color: gray

 Max. current carrying capacity: 320 A

UKH 240 - High-current terminal block

3010217

<https://www.phoenixcontact.com/us/products/3010217>



NS 32 PERF 2000MM-VPE 10 - DIN rail perforated

1201002

<https://www.phoenixcontact.com/us/products/1201002>



DIN rail perforated, Pack of 10 (20 m), acc. to EN 60715, material: Steel, galvanized, passivated with a thick layer, G profile, color: silver

NS 32 UNPERF 2000MM-VPE 10 - DIN rail, unperforated

1201015

<https://www.phoenixcontact.com/us/products/1201015>



DIN rail, unperforated, Pack of 10 (20 m), acc. to EN 60715, material: Steel, galvanized, passivated with a thick layer, G profile, color: silver

UKH 240 - High-current terminal block

3010217

<https://www.phoenixcontact.com/us/products/3010217>



NS 35/15 PERF 2000MM - DIN rail perforated

1201730

<https://www.phoenixcontact.com/us/products/1201730>



DIN rail perforated, Pack of 25 (50 m), similar to EN 60715, material: Steel, galvanized, passivated with a thick layer, Standard profile, color: silver

NS 35/15 UNPERF 2000MM - DIN rail, unperforated

1201714

<https://www.phoenixcontact.com/us/products/1201714>



DIN rail, unperforated, Pack of 25 (50 m), similar to EN 60715, material: Steel, galvanized, passivated with a thick layer, Standard profile, color: silver

UKH 240 - High-current terminal block

3010217

<https://www.phoenixcontact.com/us/products/3010217>



NS 35/15 WH PERF 2000MM - DIN rail perforated

0806602

<https://www.phoenixcontact.com/us/products/0806602>



DIN rail perforated, Pack of 25 (50 m), similar to EN 60715, material: Steel, Galvanized, white passivated, Standard profile, color: white

NS 35/15 WH UNPERF 2000MM-VPE 10 - DIN rail, unperforated

1204135

<https://www.phoenixcontact.com/us/products/1204135>



DIN rail, unperforated, Pack of 10 (20 m), similar to EN 60715, material: Steel, Galvanized, white passivated, Standard profile, color: silver

UKH 240 - High-current terminal block

3010217

<https://www.phoenixcontact.com/us/products/3010217>



NS 35/15 AL UNPERF 2000MM - DIN rail, unperforated

1201756

<https://www.phoenixcontact.com/us/products/1201756>



DIN rail, unperforated, similar to EN 60715, material: Aluminum, uncoated, Standard profile, color: silver

NS 35/15 ZN PERF 2000MM - DIN rail perforated

1206599

<https://www.phoenixcontact.com/us/products/1206599>



DIN rail perforated, Pack of 25 (50 m), similar to EN 60715, material: Steel, galvanized, Standard profile, color: silver

UKH 240 - High-current terminal block

3010217

<https://www.phoenixcontact.com/us/products/3010217>



NS 35/15 ZN UNPERF 2000MM - DIN rail, unperforated

1206586

<https://www.phoenixcontact.com/us/products/1206586>



DIN rail, unperforated, Pack of 25 (50 m), similar to EN 60715, material: Steel, galvanized, Standard profile, color: silver

NS 35/15 CU UNPERF 2000MM-VPE 10 - DIN rail, unperforated

1201895

<https://www.phoenixcontact.com/us/products/1201895>



DIN rail, unperforated, Pack of 10 (20 m), similar to EN 60715, material: Copper, uncoated, Standard profile, color: copper-colored

UKH 240 - High-current terminal block

3010217

<https://www.phoenixcontact.com/us/products/3010217>



NS 35/15 CAP - End cap

1206573

<https://www.phoenixcontact.com/us/products/1206573>

DIN rail end piece, for DIN rail NS 35/15



ZB 22:UNBEDRUCKT - Zack marker strip

0811862

<https://www.phoenixcontact.com/us/products/0811862>



Zack marker strip, Strip, white, unlabeled, can be labeled with: PLOTMARK, CMS-P1-PLOTTER, mounting type: snapped, for terminal block width: 22 mm, lettering field size: 10.5 x 21.8 mm, Number of individual labels: 4

UKH 240 - High-current terminal block

3010217

<https://www.phoenixcontact.com/us/products/3010217>



ZB 22 CUS - Zack marker strip

0824949

<https://www.phoenixcontact.com/us/products/0824949>



Zack marker strip, can be ordered: Strip, white, labeled according to customer specifications, mounting type: snap into tall marker groove, for terminal block width: 22 mm, lettering field size: 10.5 x 21.8 mm, Number of individual labels: 4

ZB 22,LGS:L1-N,PE - Zack marker strip

0811875

<https://www.phoenixcontact.com/us/products/0811875>



Zack marker strip, Strip, white, labeled, printed horizontally: L1, L2, L3, N, PE, mounting type: snapped, for terminal block width: 22 mm, lettering field size: 10.5 x 21.8 mm, Number of individual labels: 50

UKH 240 - High-current terminal block

3010217

<https://www.phoenixcontact.com/us/products/3010217>

E/AL-NS 32 - End bracket

1201659

<https://www.phoenixcontact.com/us/products/1201659>



End clamp, for end support of UKH 50 - UKH 240, is pushed onto DIN rail NS 32 and fixed with 2 screws, width: 10 mm, color: Aluminum

E/AL-NS 35 - End bracket

1201662

<https://www.phoenixcontact.com/us/products/1201662>



End clamp, for end support of UKH 50 to UKH 240, is pushed onto DIN rail NS 35 and fixed with 2 screws, width: 10 mm, color: aluminum

UKH 240 - High-current terminal block

3010217

<https://www.phoenixcontact.com/us/products/3010217>



WS-2K - Warning label

1004513

<https://www.phoenixcontact.com/us/products/1004513>

Adhesive warning plate, self-adhesive, black print: lightning flash with mixed version - "Vorsicht Spannung - Attention Danger" size of label: 32 x 26 mm



UKH 150/240 EP - Insertion profile

3009244

<https://www.phoenixcontact.com/us/products/3009244>

Insertion profile, color: silver



UKH 240 - High-current terminal block

3010217

<https://www.phoenixcontact.com/us/products/3010217>



AGK 10-UKH 150/240 - Pick-off terminal block

3003554

<https://www.phoenixcontact.com/us/products/3003554>



Pick-off terminal block, nom. voltage: 1000 V, nominal current: 57 A, number of connections: 1, connection method: Screw connection, Rated cross section: 10 mm², cross section: 0.5 mm² - 10 mm², mounting type: on base element, color: gray

SF-THEX 8-200 - Screwdriver

1212643

<https://www.phoenixcontact.com/us/products/1212643>



T-handle screwdriver, for Allen screws, hexagonal (with chamfer), size: hex 8 x 200 mm, ergonomically shaped handle, matt chrome-plated

Phoenix Contact 2024 © - all rights reserved
<https://www.phoenixcontact.com>

Phoenix Contact USA
586 Fulling Mill Road
Middletown, PA 17057, United States
(+717) 944-1300
info@phoenixcon.com