



Solid-state contactor 3-phase 3RF3 AC 53 / 16 A / 40 °C 48-600 V / 110-230 V AC 2-phase controlled Instantaneous switching Spring-type terminal

product brand name	SIRIUS
product designation	solid-state contactor
design of the product	two-phase controlled
product type designation	3RF34
General technical data	
product function	instantaneous switching
power loss [W] for rated value of the current at AC in hot operating state	28 W
• per pole	9.33 W
power loss [W] for rated value of the current without load current share typical	3.5 W
insulation voltage rated value	600 V
type of voltage of the control supply voltage	AC
surge voltage resistance of main circuit rated value	6 kV
shock resistance acc. to IEC 60068-2-27	15g / 11 ms
vibration resistance acc. to IEC 60068-2-6	2g
certificate of suitability	CE / UL / CSA / CCC / C-Tick (RCM)
reference code acc. to IEC 81346-2	Q
Substance Prohibition (Date)	28.05.2009 00:00:00
Main circuit	
number of poles for main current circuit	3
number of NO contacts for main contacts	2
number of NC contacts for main contacts	0
operating voltage at AC	
• at 50 Hz rated value	48 ... 600 V
• at 60 Hz rated value	48 ... 600 V
operating frequency rated value	50 ... 60 Hz
relative symmetrical tolerance of the operating frequency	10 %
operating range relative to the operating voltage at AC	
• at 50 Hz	40 ... 660 V
• at 60 Hz	40 ... 660 V
operational current	
• at AC-3 at 400 V rated value	16 A
• at AC-53a at 400 V at ambient temperature 40 °C rated value	16 A
operational current minimum	500 mA
operating power	
• at AC-3 at 400 V rated value	7.5 kW
rate of voltage rise at the thyristor for main contacts	1 000 V/μs

maximum permissible	
blocking voltage at the thyristor for main contacts maximum permissible	1 600 V
reverse current of the thyristor	10 mA
derating temperature	40 °C
surge current resistance rated value	1 150 A
I ² t value maximum	6 600 A ² ·s
Control circuit/ Control	
type of voltage of the control supply voltage	AC
control supply voltage 1 at AC	
• at 50 Hz	110 ... 230 V
• at 60 Hz	110 ... 230 V
control supply voltage frequency	
• 1 rated value	50 Hz
• 2 rated value	60 Hz
relative symmetrical tolerance of the control supply voltage frequency	10 %
control supply voltage at AC	
• at 50 Hz full-scale value for signal<0> recognition	40 V
• at 60 Hz full-scale value for signal<0> recognition	40 V
control supply voltage	
• at AC initial value for signal <1> detection	90 V
symmetrical line frequency tolerance	5 Hz
operating range factor control supply voltage rated value at AC at 50 Hz	
• initial value	0.82
• full-scale value	1.1
operating range factor control supply voltage rated value at AC at 60 Hz	
• initial value	0.82
• full-scale value	1.1
control current at minimum control supply voltage	
• at AC	2 mA
control current at AC rated value	15 mA
ON-delay time	5 ms
OFF-delay time	30 ms; additionally max. one half-wave
Auxiliary circuit	
number of NC contacts for auxiliary contacts	0
number of NO contacts for auxiliary contacts	0
number of CO contacts for auxiliary contacts	0
Installation/ mounting/ dimensions	
mounting position	vertical
fastening method	screw and snap-on mounting onto 35 mm standard mounting rail
• side-by-side mounting	Yes
height	95 mm
width	90 mm
depth	100.8 mm
required spacing with side-by-side mounting	
• upwards	70 mm
• downwards	50 mm
Connections/ Terminals	
product component removable terminal for auxiliary and control circuit	Yes
type of electrical connection	
• for main current circuit	spring-loaded terminals
• for auxiliary and control circuit	spring-loaded terminals
type of connectable conductor cross-sections	
• for main contacts	
— solid	2x (0.5 ... 2.5 mm ²)
— finely stranded with core end processing	2x (0.5 ... 1.5 mm ²)
— finely stranded without core end processing	2x (0.5 ... 2.5 mm ²)

<ul style="list-style-type: none"> at AWG cables for main contacts 	2x (18 ... 14)
connectable conductor cross-section for main contacts <ul style="list-style-type: none"> solid or stranded finely stranded with core end processing finely stranded without core end processing 	0.5 ... 2.5 mm ² 0.5 ... 1.5 mm ² 0.5 ... 2.5 mm ²
type of connectable conductor cross-sections <ul style="list-style-type: none"> for auxiliary and control contacts <ul style="list-style-type: none"> solid finely stranded with core end processing finely stranded without core end processing at AWG cables for auxiliary and control contacts 	0.5 ... 1.5 mm ² 0.5 ... 2.5 mm ² 0.5 ... 2.5 mm ² 1x (AWG 20 ... 12)
AWG number as coded connectable conductor cross section for main contacts	14 ... 10
stripped length of the cable <ul style="list-style-type: none"> for main contacts for auxiliary and control contacts 	10 mm 10 mm
UL/CSA ratings	
full-load current (FLA) for 3-phase AC motor <ul style="list-style-type: none"> at 480 V rated value at 600 V rated value 	7.6 A 9 A
yielded mechanical performance [hp] for 3-phase AC motor <ul style="list-style-type: none"> at 200/208 V rated value at 220/230 V rated value at 460/480 V rated value at 575/600 V rated value 	2 hp 2 hp 5 hp 7.5 hp
Safety related data	
proportion of dangerous failures with high demand rate acc. to SN 31920	50 %
MTTF with high demand rate	76 y
T1 value for proof test interval or service life acc. to IEC 61508	20 y
protection class IP on the front acc. to IEC 60529	IP20
touch protection on the front acc. to IEC 60529	finger-safe, for vertical contact from the front
Ambient conditions	
installation altitude at height above sea level maximum	1 000 m
ambient temperature <ul style="list-style-type: none"> during operation during storage 	-25 ... +60 °C -55 ... +80 °C
Electromagnetic compatibility	
conducted interference <ul style="list-style-type: none"> due to burst acc. to IEC 61000-4-4 due to conductor-earth surge acc. to IEC 61000-4-5 due to conductor-conductor surge acc. to IEC 61000-4-5 due to high-frequency radiation acc. to IEC 61000-4-6 	2 kV / 5 kHz behavior criterion 2 2 kV behavior criterion 2 1 kV behavior criterion 2 140 dBuV in the frequency range 0.15 ... 80 MHz, behavior criterion 1
electrostatic discharge acc. to IEC 61000-4-2	4 kV contact discharging / 8 kV air discharging, behavior criterion 2
conducted HF interference emissions acc. to CISPR11	Class A for industrial environment
field-bound HF interference emission acc. to CISPR11	Class A for industrial environment
Short-circuit protection, design of the fuse link	
manufacturer's article number <ul style="list-style-type: none"> of full range R fuse link for semiconductor protection at NH design usable of back-up R fuse link for semiconductor protection at NH design usable of back-up R fuse link for semiconductor protection at cylindrical design 10 x 38 mm usable of back-up R fuse link for semiconductor protection at cylindrical design 14 x 51 mm usable of back-up R fuse link for semiconductor protection 	3NE1817-0 3NE8022-1 3NC1032 3NC1450 3NC2280

at cylindrical design 22 x 58 mm usable
manufacturer's article number of the gG fuse
• at NH design usable

[3NA3812-6](#)

Certificates/ approvals

General Product Approval	EMC	Declaration of Conformity
--------------------------	-----	---------------------------



Test Certificates	other
-------------------	-------

[Type Test Certificates/Test Report](#)

[Confirmation](#)

Further information

Information- and Downloadcenter (Catalogs, Brochures,...)

<https://www.siemens.com/ic10>

Industry Mall (Online ordering system)

<https://mall.industry.siemens.com/mall/en/en/Catalog/product?mlfb=3RF3416-2BB26>

Cax online generator

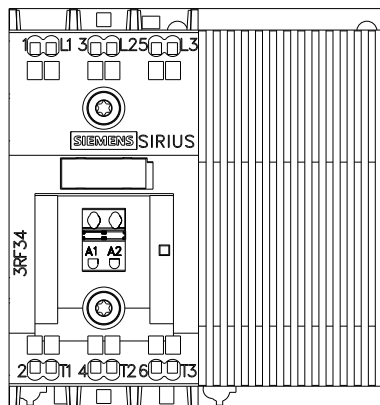
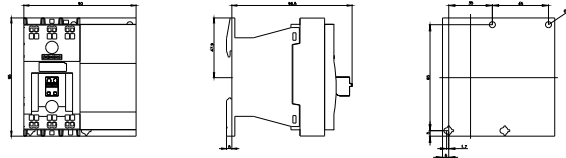
<http://support.automation.siemens.com/WW/CAXorder/default.aspx?lang=en&mlfb=3RF3416-2BB26>

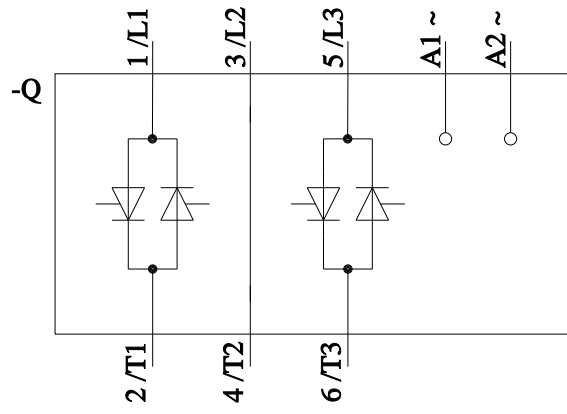
Service&Support (Manuals, Certificates, Characteristics, FAQs,...)

<https://support.industry.siemens.com/cs/ww/en/ps/3RF3416-2BB26>

Image database (product images, 2D dimension drawings, 3D models, device circuit diagrams, EPLAN macros, ...)

http://www.automation.siemens.com/bilddb/cax_de.aspx?mlfb=3RF3416-2BB26&lang=en





last modified:

3/11/2021 