



Position switch Metal enclosure 40 mm according to EN 50041 Device connection 1x (M20 x 1.5) 1 NO/1 NC quick action contacts Fork lever operating mechanism with metal lever and plastic rollers 19 mm

|  |   |
|--|---|
| <b>product brand name</b>  | SIRIUS  |
| <b>product designation</b>   | Mechanical position switches  |
| <b>product type designation</b>  | 3SE5  |
| <b>manufacturer's article number</b>   |   |
| <ul style="list-style-type: none"> <li>• of the supplied basic switch</li> <li>• of the supplied actuator head for position switches</li> <li>• of the supplied operating lever</li> <li>• of the supplied switching contacts</li> <li>• of the supplied empty enclosure with cover</li> </ul> | <a href="#">3SE5112-0CA00</a><br><a href="#">3SE5000-0AT10</a><br><a href="#">3SE5000-0AT01</a><br><a href="#">3SE5000-0CA00</a><br><a href="#">3SE5112-0AA00</a> |
| suitability for use safety switch  | Yes   |
| <b>General technical data</b>  |   |
| product function positive opening  | Yes   |
| insulation voltage rated value   | 400 V   |
| <b>degree of pollution</b>   | class 3   |
| <b>surge voltage resistance rated value</b>  | 6 kV  |
| <b>protection class IP</b>   | IP66/IP67   |
| <b>shock resistance</b>  |   |
| <ul style="list-style-type: none"> <li>• acc. to IEC 60068-2-27</li> </ul>   | 30g / 11 ms   |
| vibration resistance acc. to IEC 60068-2-6   | 0.35 mm/5g  |
| mechanical service life (switching cycles) typical   | 1 000 000   |
| electrical endurance (switching cycles) at AC-15 at 230 V typical  | 100 000   |
| <b>electrical endurance (switching cycles) with contactor 3RH11, 3RT1016, 3RT1017, 3RT1024, 3RT1025, 3RT1026 typical</b>   | 1 000 000   |
| <b>Electrical operating cycles in one hour with contactor 3RH11, 3RT1016, 3RT1017, 3RT1024, 3RT1025, 3RT1026</b>   | 6 000   |
| <b>thermal current</b>   | 10 A  |
| <b>material of the enclosure of the switch head</b>  | metal   |
| <b>reference code acc. to IEC 81346-2</b>  | B   |
| <b>continuous current of the C characteristic MCB</b>  | 1 A; for a short-circuit current smaller than 400 A   |
| <b>continuous current of the quick DIAZED fuse link</b>  | 10 A; for a short-circuit current smaller than 400 A  |
| <b>continuous current of the DIAZED fuse link gG</b>   | 6 A   |
| <b>active principle</b>  | mechanical  |
| <b>repeat accuracy</b>   | 0.05 mm   |
| <b>Substance Prohibitance (Date)</b>   | 01.07.2006  |
| <b>minimum actuating torque in directions of actuation</b>   | 0.25 N·m  |
| <b>length of the sensor</b>  | 127.5 mm  |
| <b>width of the sensor</b>   | 40 mm   |
| <b>design of the switching contact</b>   | mechanical  |

|  |  |
|--|--|
| <b>operating frequency rated value</b>                   | 50 ... 60 Hz   |
| <b>number of NC contacts for auxiliary contacts</b>      | 1  |
| <b>number of NO contacts for auxiliary contacts</b>      | 1  |
| <b>operational current at AC-15</b>                      |  |
| • at 24 V rated value                                    | 6 A  |
| • at 125 V rated value                                   | 6 A  |
| • at 240 V rated value                                   | 6 A  |
| • at 400 V rated value                                   | 4 A  |
| <b>operational current at DC-13</b>                      |  |
| • at 24 V rated value                                    | 3 A  |
| • at 125 V rated value                                   | 0.55 A   |
| • at 250 V rated value                                   | 0.27 A   |
| • at 400 V rated value                                   | 0.12 A   |
| design of the interface for safety-related communication | without  |
| <b>Enclosure</b>   |  |
| <b>design of the housing</b>                             | block, narrow  |
| <b>material of the enclosure</b>                         | metal  |
| <b>coating of the enclosure</b>                          | cathodic dip coating   |
| <b>design of the housing acc. to standard</b>            | Yes  |
| <b>Drive Head</b>  |  |
| <b>design of the actuating element</b>                   | Twist actuator, fork lever, metal lever, plastic rollers 19 mm, single-track |
| <b>shape of the switch head</b>                          | roller   |
| <b>design of the switching function</b>                  | positive opening   |
| <b>circuit principle</b>                                 | snap-action contacts   |
| number of switching contacts safety-related              | 1  |
| <b>Connections/ Terminals</b>                            |  |
| <b>type of electrical connection</b>                     | screw-type terminals   |
| <b>type of connectable conductor cross-sections</b>      |  |
| • solid  | 1x (0.5 ... 1.5 mm <sup>2</sup> ), 2x (0.5 ... 0.75 mm <sup>2</sup> )        |
| • finely stranded with core end processing               | 1x (0.5 ... 1.5 mm <sup>2</sup> ), 2x (0.5 ... 0.75 mm <sup>2</sup> )        |
| • at AWG cables solid                                    | 1x (20 ... 16), 2x (20 ... 18)   |
| • at AWG cables stranded                                 | 1x (20 ... 16), 2x (20 ... 18)   |
| <b>cable entry type</b>                                  | 1x (M20 x 1.5)   |
| <b>Communication/ Protocol</b>                           |  |
| <b>design of the interface</b>                           | without  |
| <b>Ambient conditions</b>                                |  |
| <b>ambient temperature</b>                               |  |
| • during operation                                       | -25 ... +85 °C   |
| • during storage   | -40 ... +90 °C   |
| <b>explosion protection category for dust</b>            | none   |
| <b>Installation/ mounting/ dimensions</b>                |  |
| <b>mounting position</b>                                 | any  |
| <b>fastening method</b>                                  | screw fixing   |
| <b>Certificates/ approvals</b>                           |  |
| General Product Approval                                 |  |



[Confirmation](#)



|                                       |                           |                   |       |
|---------------------------------------|---------------------------|-------------------|-------|
| Functional Safety/Safety of Machinery | Declaration of Conformity | Test Certificates | other |
|---------------------------------------|---------------------------|-------------------|-------|

Further information

Information- and Downloadcenter (Catalogs, Brochures,...)

<https://www.siemens.com/ic10>

Industry Mall (Online ordering system)

<https://mall.industry.siemens.com/mall/en/en/Catalog/product?mlfb=3SE5112-0CT11>

Cax online generator

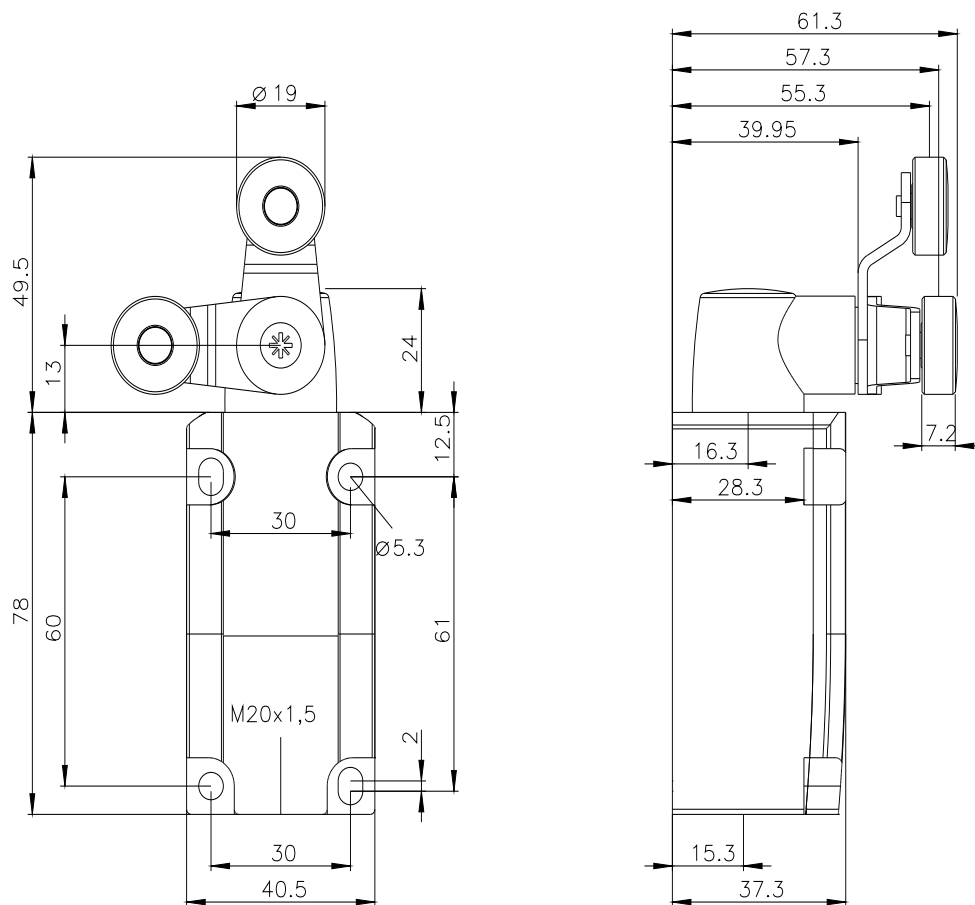
<http://support.automation.siemens.com/WW/CAXorder/default.aspx?lang=en&mlfb=3SE5112-0CT11>

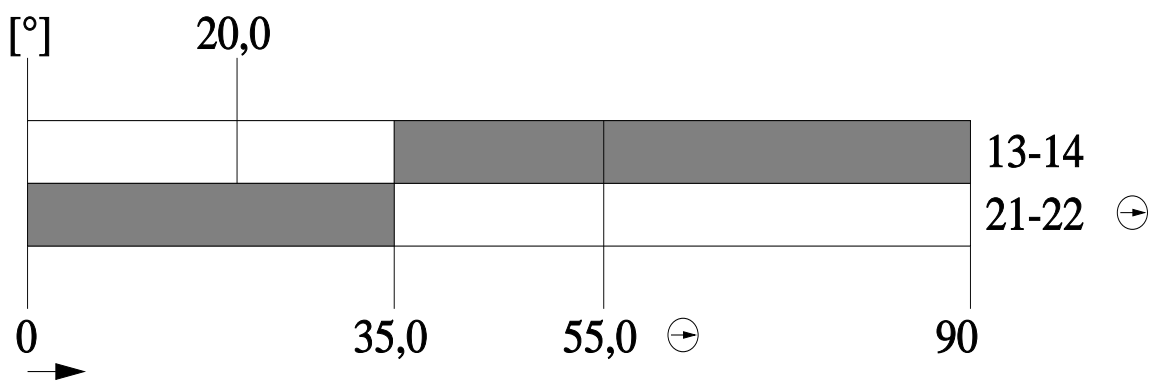
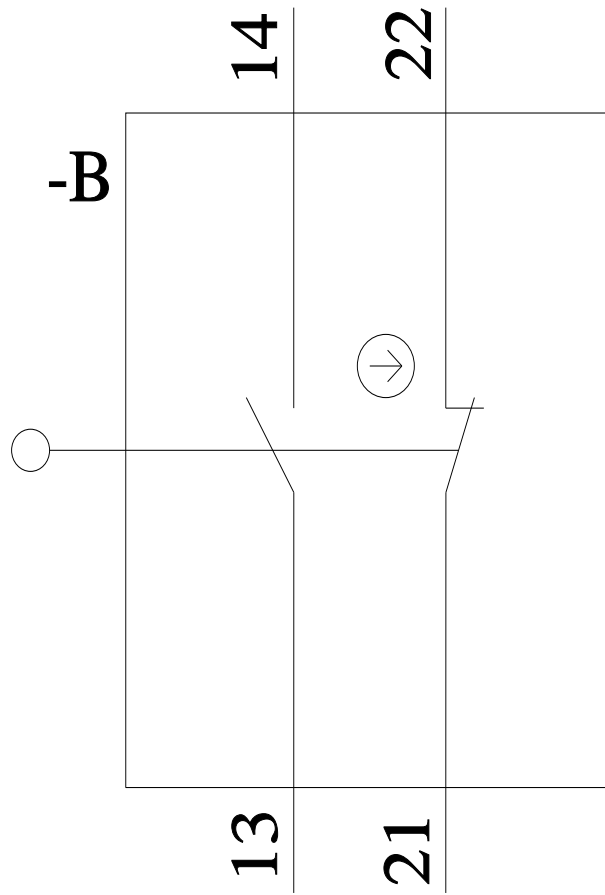
Service&Support (Manuals, Certificates, Characteristics, FAQs,...)

<https://support.industry.siemens.com/cs/ww/en/ps/3SE5112-0CT11>

Image database (product images, 2D dimension drawings, 3D models, device circuit diagrams, EPLAN macros, ...)

[http://www.automation.siemens.com/bilddb/cax\\_de.aspx?mlfb=3SE5112-0CT11&lang=en](http://www.automation.siemens.com/bilddb/cax_de.aspx?mlfb=3SE5112-0CT11&lang=en)





last modified:

1/26/2022