

Air Pressure Sensor

DXA.S04P1

DXA.S04P1-B



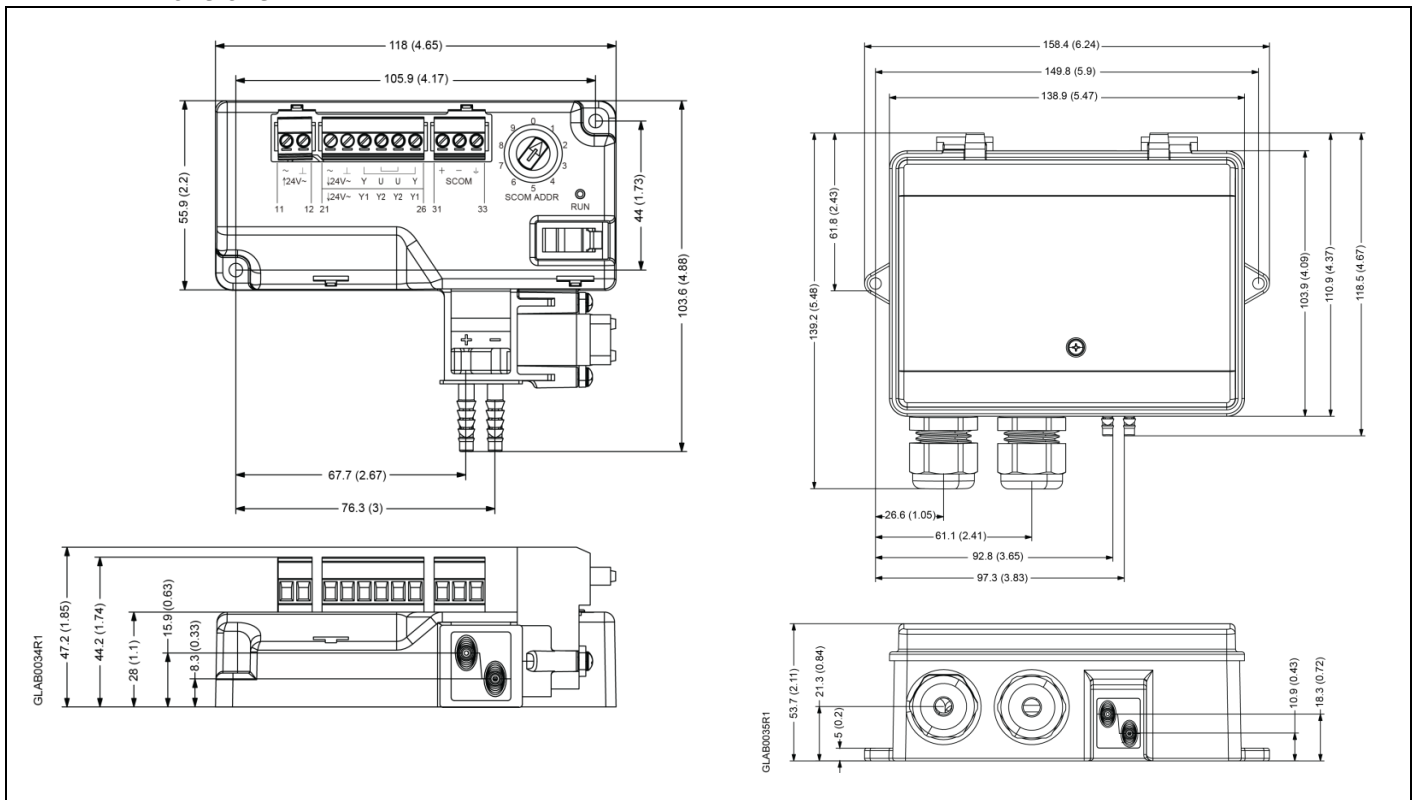
DXA.S04P1



DXA.S04P1-B - IP54 Option

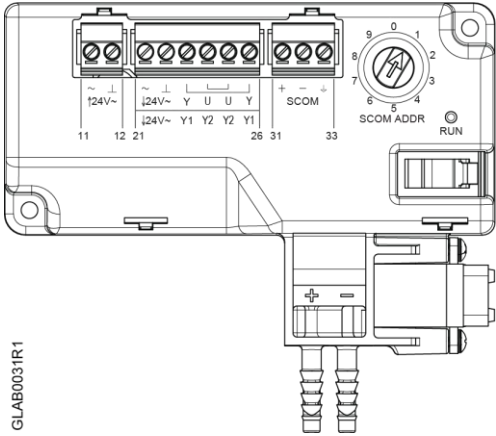


Dimensions.

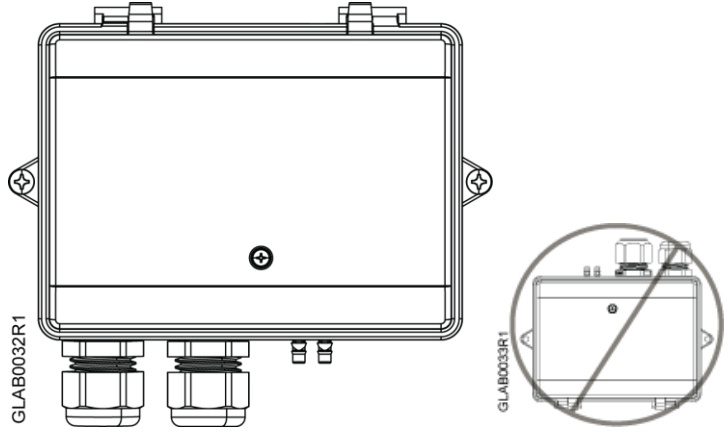




Mounting

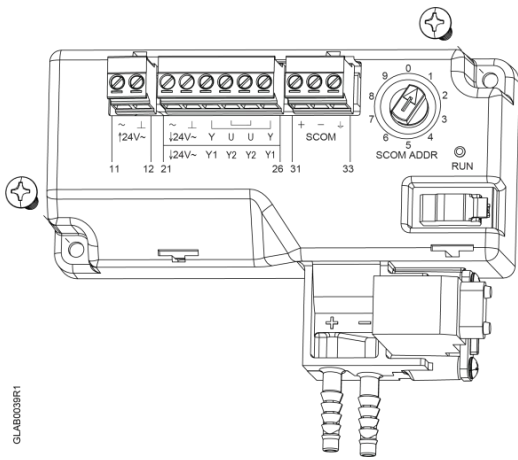


GLAB0031R1

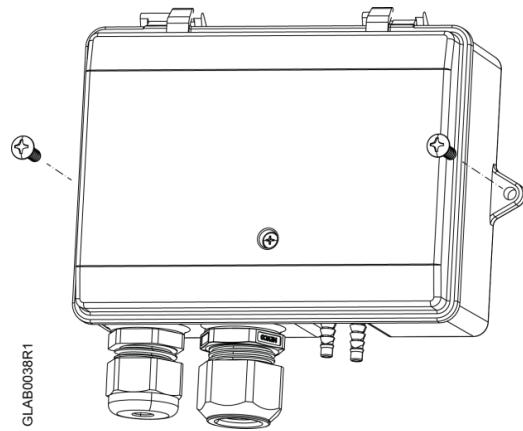


GLAB0032R1

GLAB0033R1

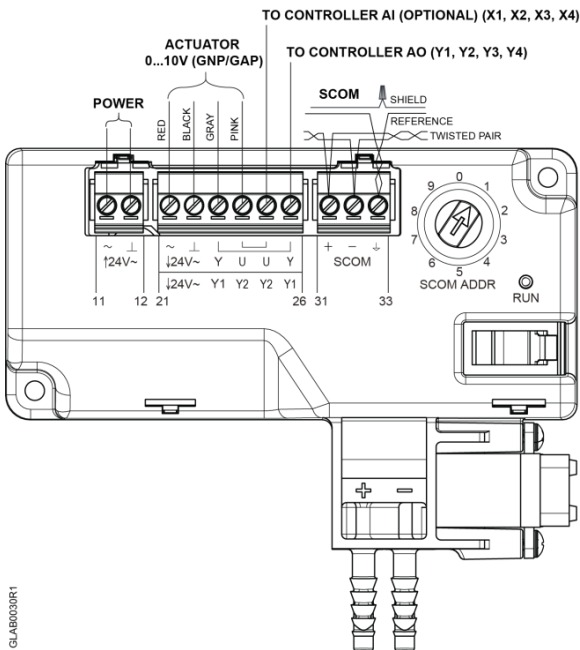


GLAB0038R1

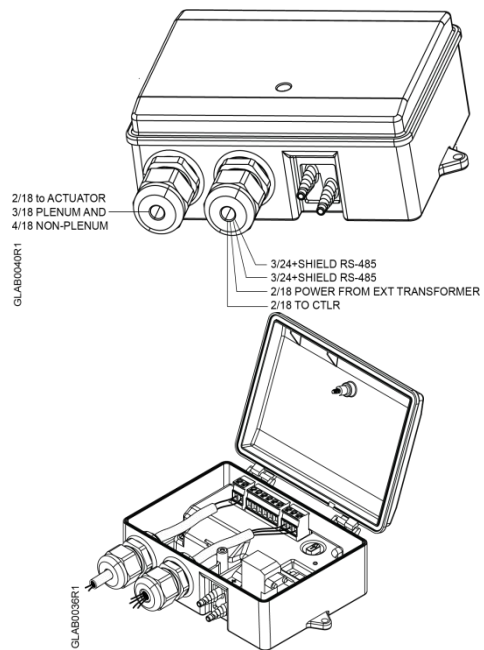


GLAB0038R1

Wiring



GLAB0038R1



GLAB0046R1

GLAB0038R1

NOTE: To achieve IP54 rating, each conduit connector must use a single jacketed multi-conductor cable [diameter ranging from 4.3 mm (0.17 inch) to 11.4 mm (0.45 inch)].