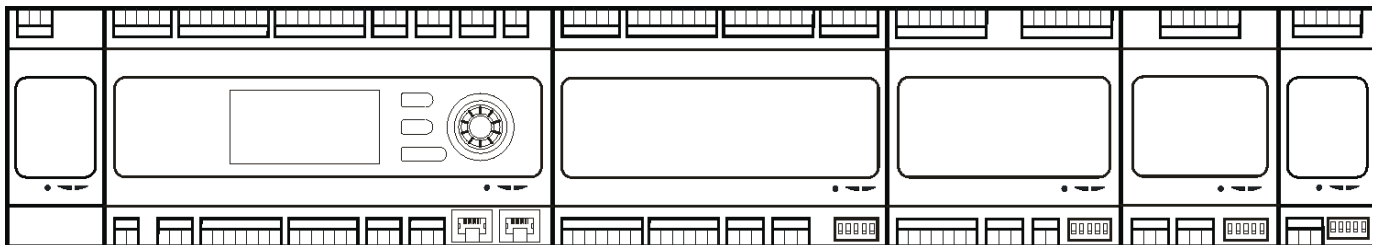


de	Montageanleitung	Climatix™ Sortiment	POL68X.XX/XXX,
en	Mounting instructions	Climatix™ range	POL63X.XX/XXX,
fr	Instructions de montage	Climatix™ Range	POL985.00/XXX, POL965.00/XXX
sv	Monteringsinstruktion	Climatix™ Range	POL945.00/XXX, POL925.00/XXX
nl	Montage-aanwijzing	Climatix™ Range	POL94U.00/XXX, POL94E.00/XXX
it	Istruzioni di montaggio	Climatix™ Range	POL955.00/XXX
fi	Asennusohje	Climatix™ Range	POL902.00/XXX
es	Instrucciones de montaje	Climatix™ Range	POL904.00/XXX, POL906.00/XXX
da	Monteringsvejledning	Climatix™ Range	POL907.00/XXX, POL908.00/XXX
el	μοντάζ μύηση	Climatix™ Range	POL909.00/XXX
da	Monteringsvejledning	Climatix™ Range	POL96U.00/XXX, POL96E.00/XXX
tr	Montaj Kilavuzu	Climatix™ Range	POL98U.00/XXX, POL98E.00/XXX
zh	安装指南	Climatix™ Range	

Climatix installation example



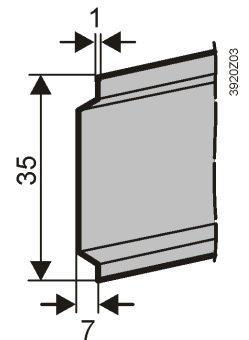
Comm.

Controller comm. I/O

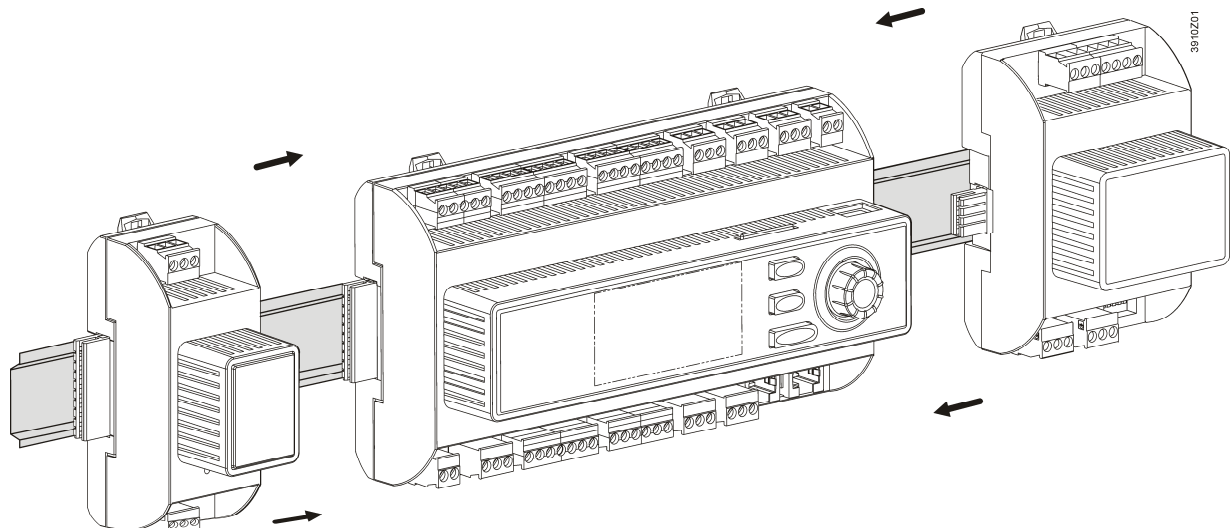
Extension I/O



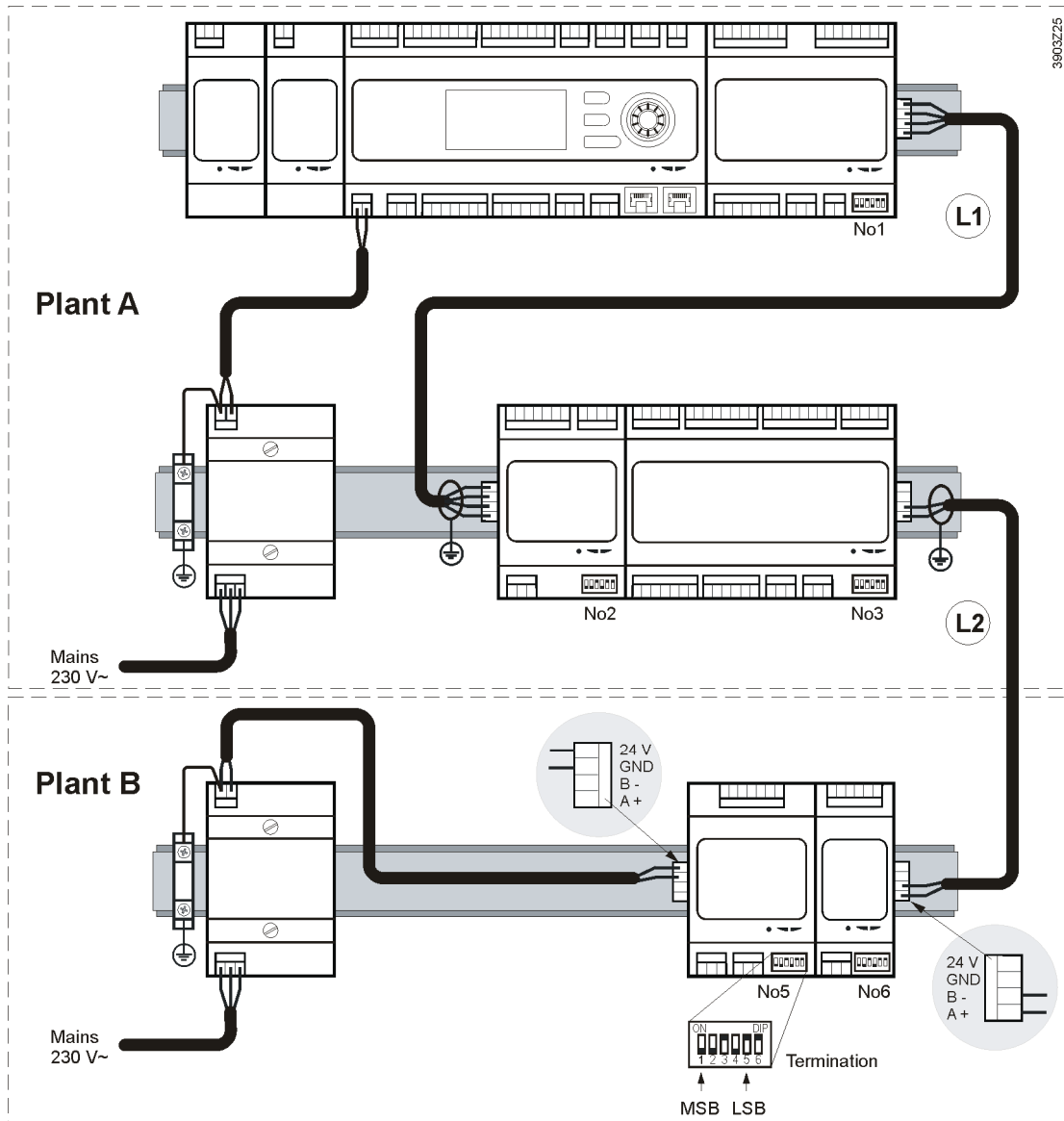
Connecting the modules



DIN rail



Connecting the extension modules



de Wenn $L1 + L2 + Lx = > 3$ m dann abgeschirmte Kabel verwenden

$L1 + L2 + Lx = \text{max. } 30$ m, max. 31 Erweiterungsmodule

en If $L1 + L2 + Lx = > 3$ m, then use shielded cable

$L1 + L2 + Lx = \text{max } 30$ m, max. 31 extension modules

fr Si $L1 + L2 + Lx = > 3$ m, utilisez un câble blindé

$L1 + L2 + Lx = \text{max } 30$ m, Max 31 modules d'extension

sv Om $L1 + L2 + Lx = > 3$ m ska skärmd kabel användas

$L1 + L2 + Lx = \text{max. } 30$ m, Max. 31 utbyggnadsmoduler

it Se $L1 + L2 + Lx = > 3$ m usare cavi schermati

$L1 + L2 + Lx = \text{mas. } 30$ m, Massimo 31 Moduli di Estensione

tr Eğer $L1 + L2 + Lx = > 3$ m ise, korumalı kabloyu kullanın.

$L1 + L2 + Lx = \text{maks. } 30$ m, Maksimum 31 Eklenti Modülü

nl Als $L1 + L2 + Lx = > 3$ m dan afgeschermde kabel gebruiken

$L1 + L2 + Lx = \text{max. } 30$ m, Max. 31 uitbreidingsmodulen

zh 如果 $L1 + L2 + Lx \geq 3$ 米, 请使用屏蔽电缆

$L1 + L2 + Lx$ 最长为 30 米, 最多 31 个扩展模块

Please also refer to Data Sheet 3900 for power consumption and pass-through current rules.