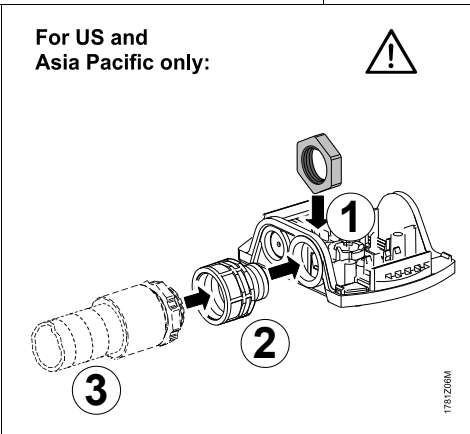
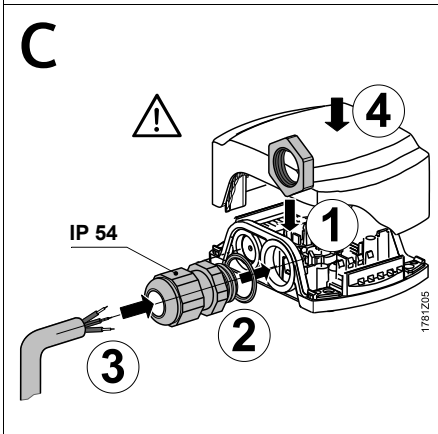
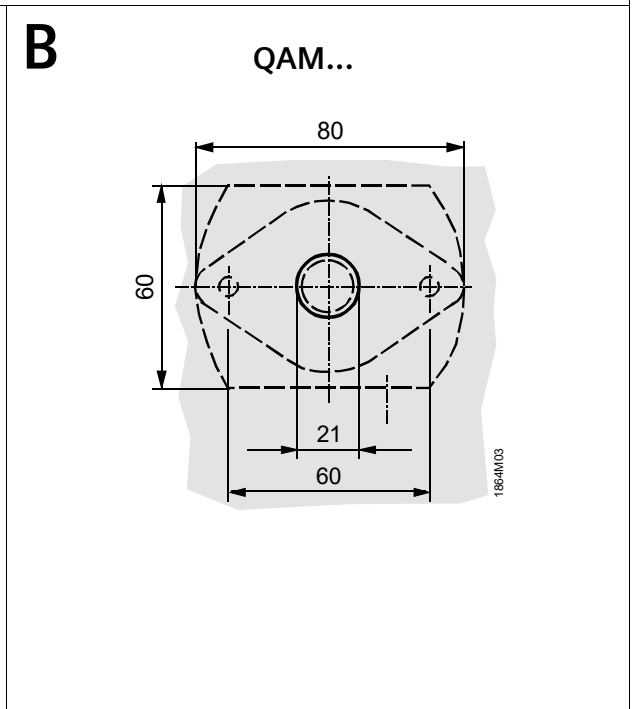
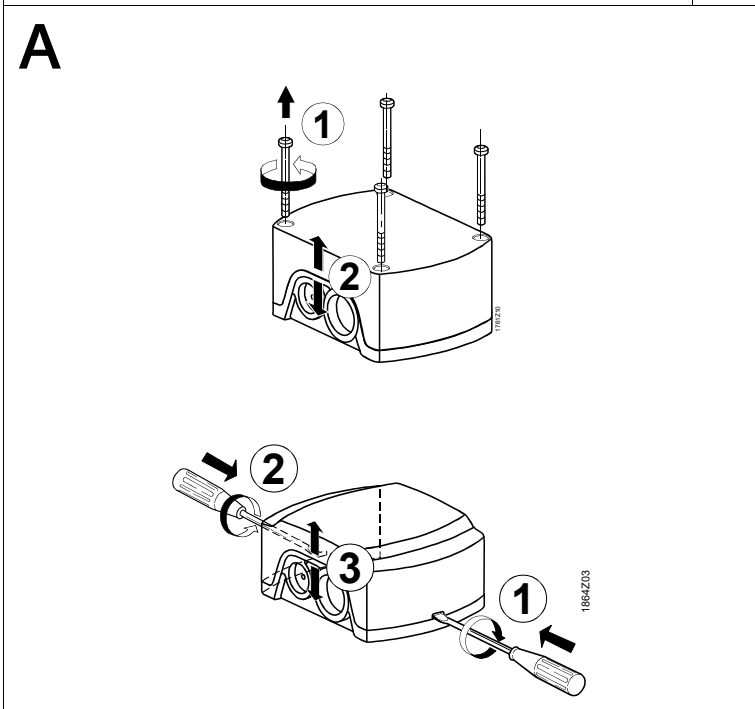
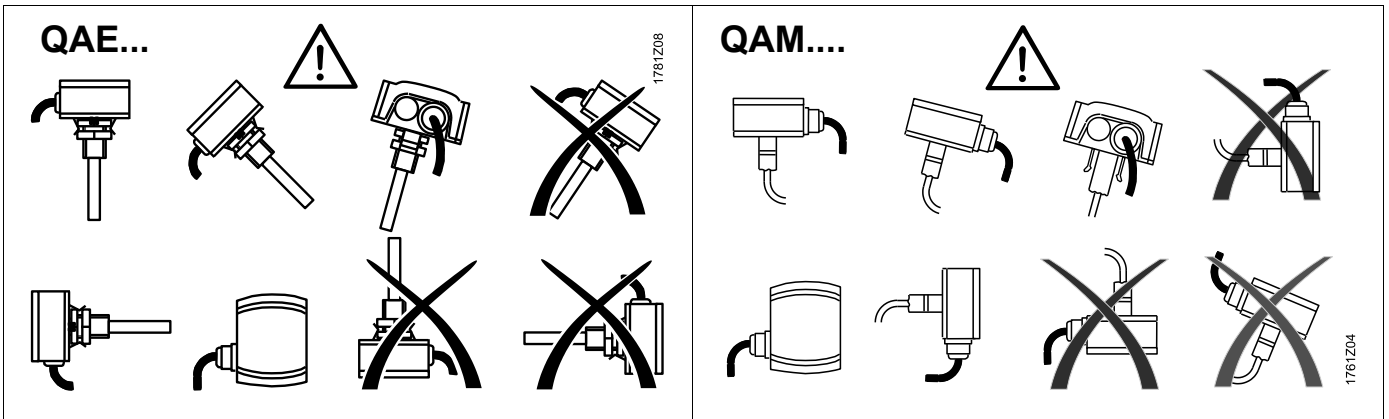
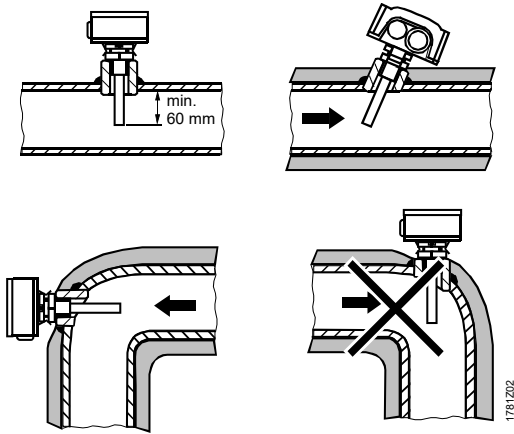
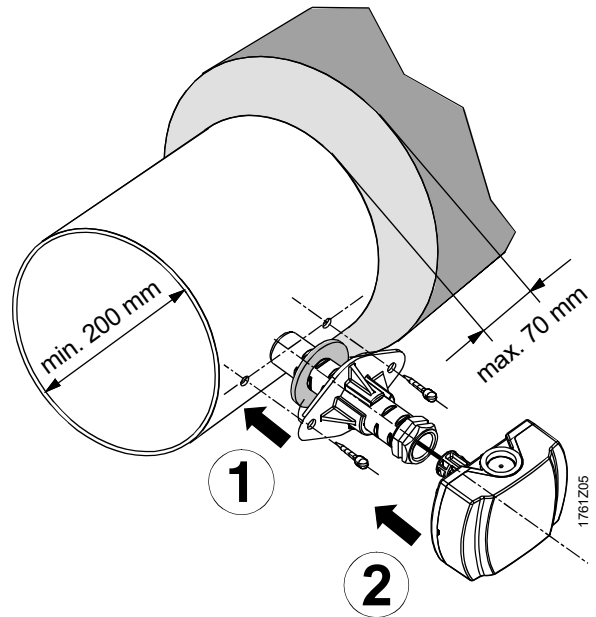
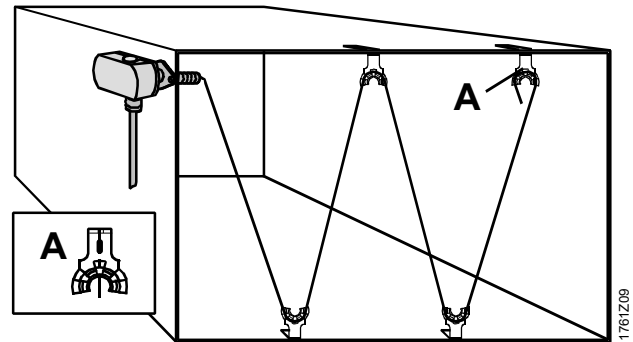
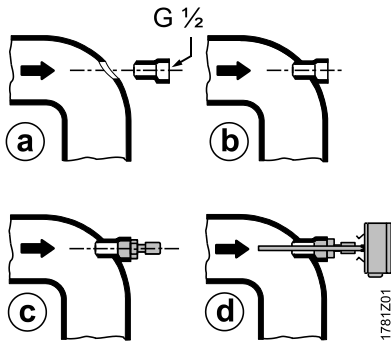
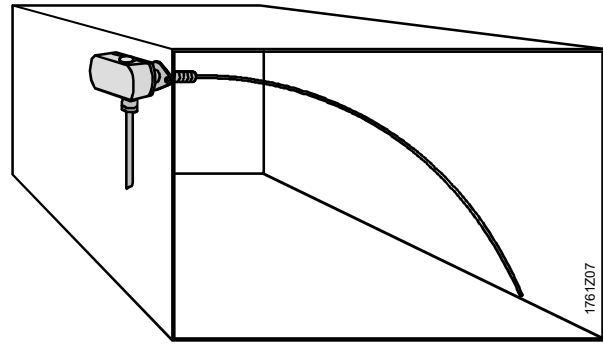


- de** Montageanleitung
- en** Mounting instructions
- fr** Instructions de montage
- sv** Monteringsinstruktion
- nl** Montage-aanwijzing
- it** Istruzioni di montaggio
- fi** Asennusohje
- es** Instrucciones de montaje
- da** Monteringsvejledning
- tr** Montaj talimatları

QAE...
QAM...



For US and Asia Pacific only:		⚠	
G AC 24 V ± 20 % / DC 13,5...35 V	B	M	
G0 GND			
X ...4...20 mA / DC 0...10 V / 0...5 V		BS	
I ... 4...20 mA		MS	
G ... DC 13,5...35 V			
C + com			
C - com			

D**QAE...****QAM...****Open Source Software (OSS)**

All open source software components used within the product (including their copyright holders and the license conditions) can be found from the website <https://www.siemens.com/download?A6V12393975>.