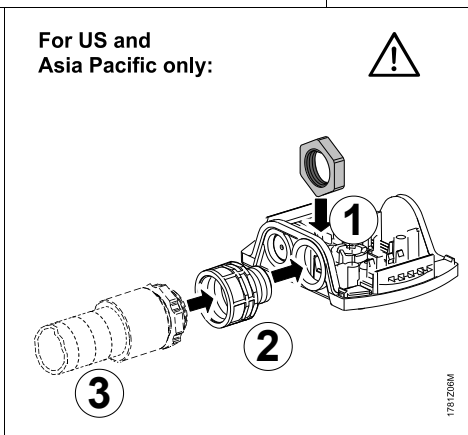
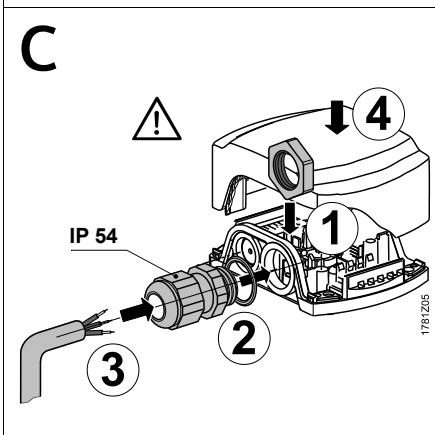
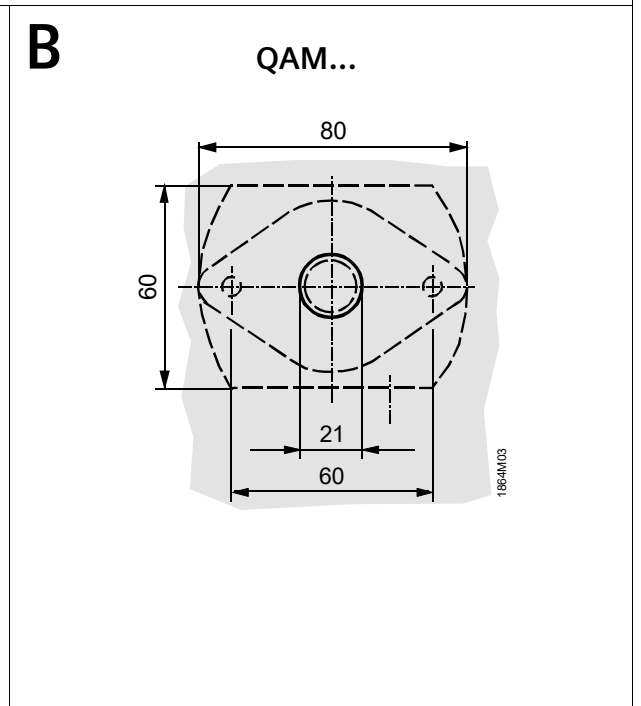
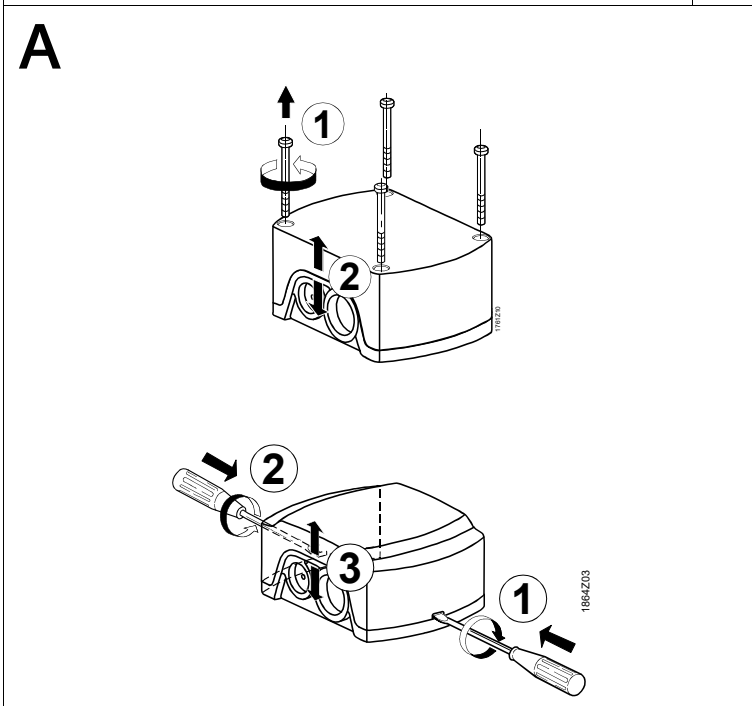
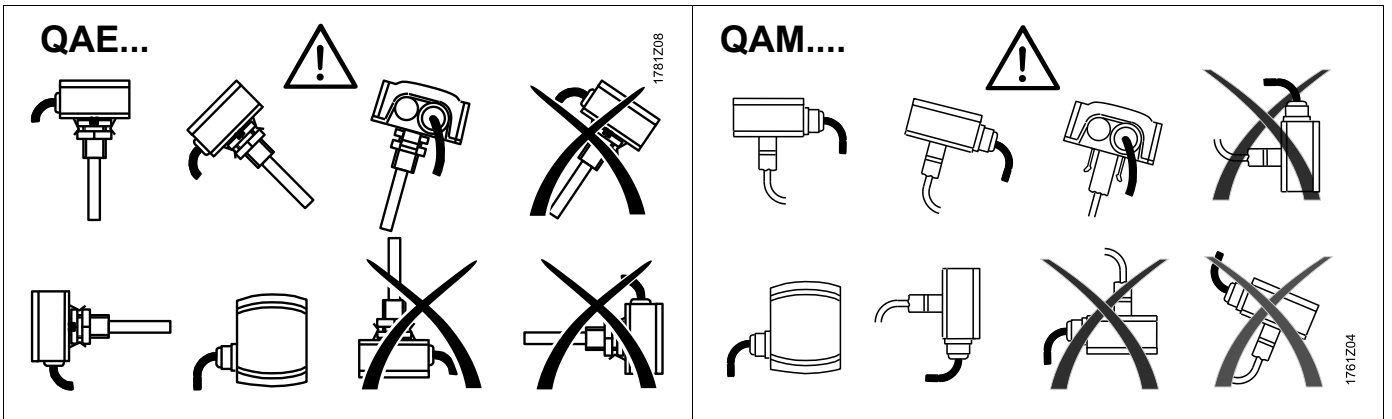


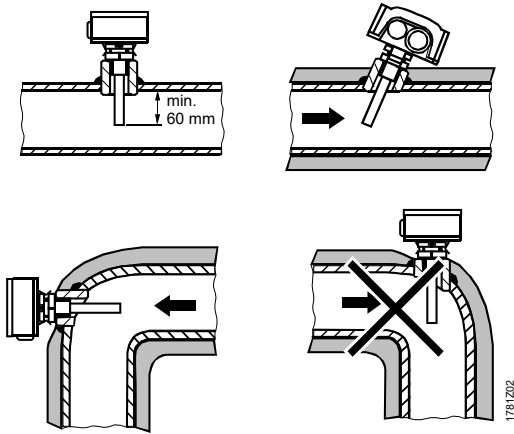
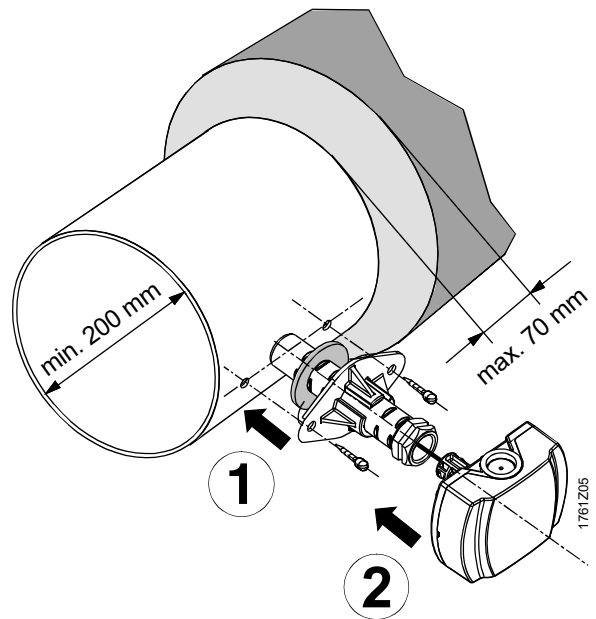
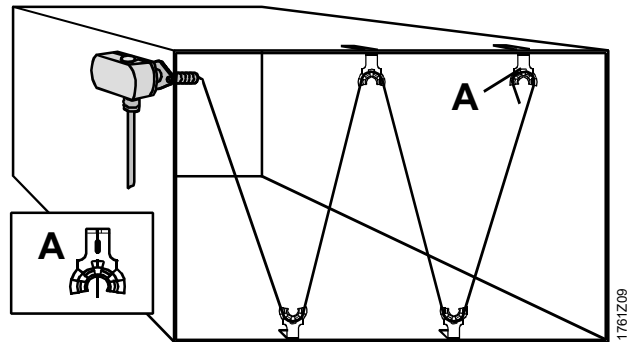
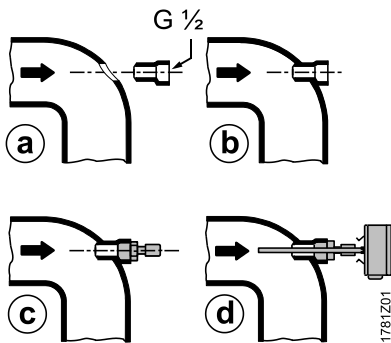
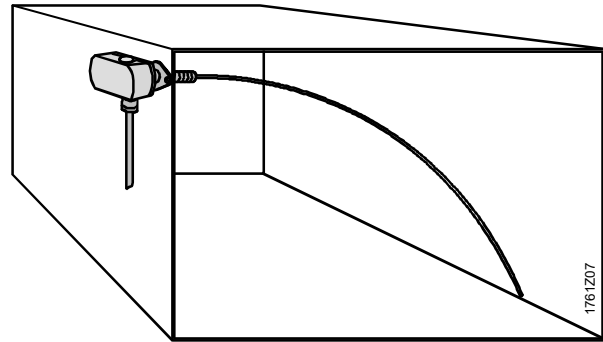
- de** Montageanleitung
- en** Mounting instructions
- fr** Instructions de montage
- sv** Monteringsinstruktion
- nl** Montage-aanwijzing
- it** Istruzioni di montaggio
- fi** Asennusohje
- es** Instrucciones de montaje
- da** Monteringsvejledning
- tr** Montaj talimatları

QAE...
QAM...



G	AC 24 V ± 20 % / DC 13.5...35 V	B	
G0	GND	M	
U...	DC 0...10 V	BS	
I ...	DC 4...20 mA	MS	
G...	DC 13.5...35 V		
C +	com		
C -	com		

Reference number 1781Z08 is visible.

D**QAE...****QAM...****Open Source Software (OSS)**

All open source software components used within the product (including their copyright holders and the license conditions) can be found from the website <https://www.siemens.com/download?A6V12393975>.