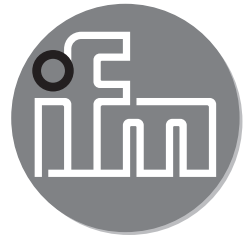


ifm electronic



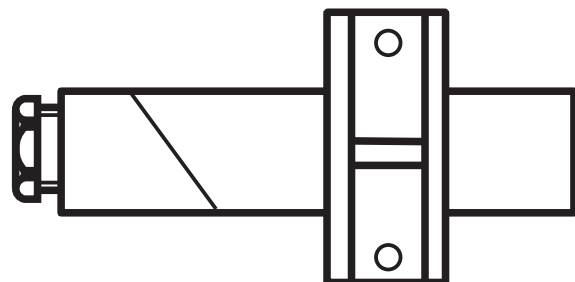
Installation Instructions
Inductive sensor

efector100[®]

IAE

UK

704284 / 00 09 / 2007



Function and features

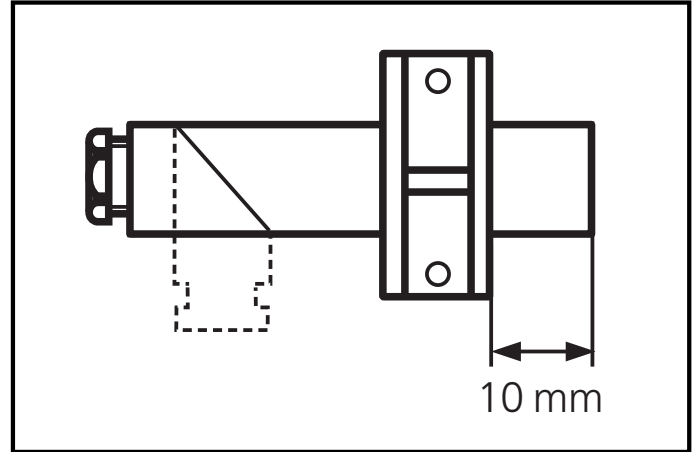
This sensor detects metals without contact and indicates their presence by providing a switched signal. Nominal sensing range (S_n) 10 mm; operating distance (S_a) 0 ... 8,1 mm (values based on standard measurement with mild steel; a shorter sensing range for other metals).

Installation

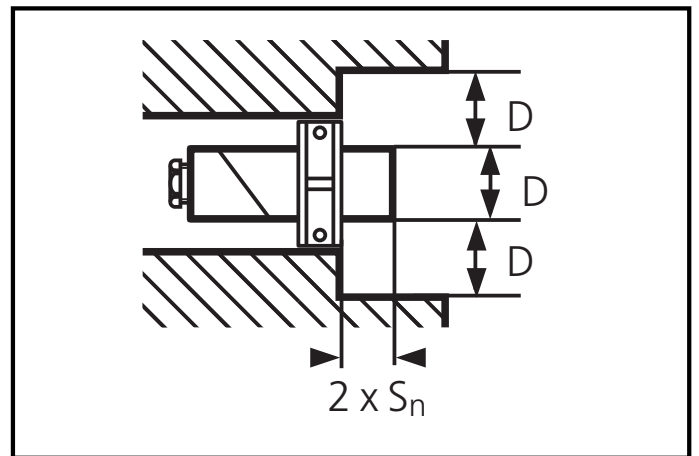
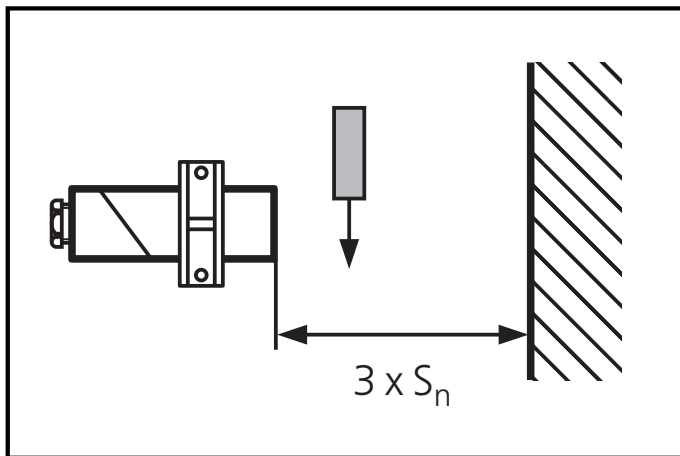
Mount the sensor by means of the mounting bracket provided.

Distance between sensing face and bracket 10 mm.

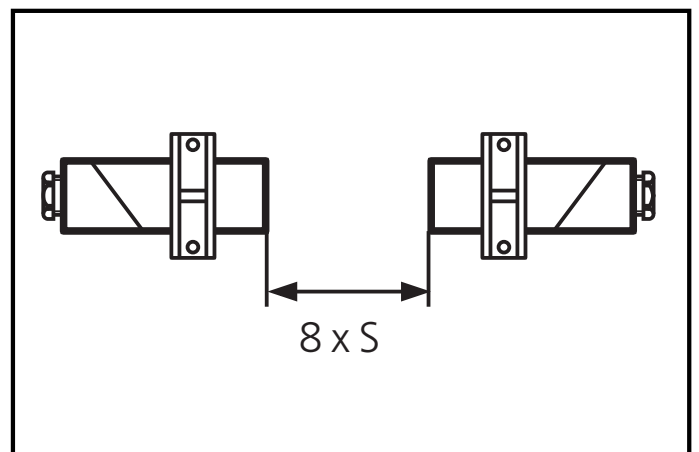
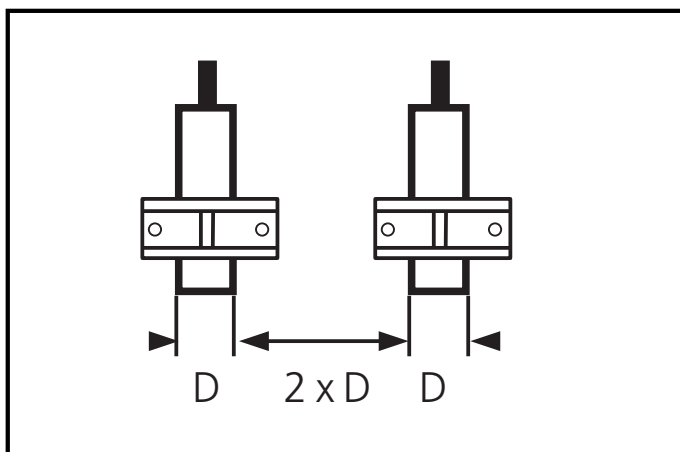
Non-flush installation.



Open space around the sensing face when mounted in metal:



Minimum distance when several switches of the same type are mounted:



Electrical connection



Disconnect power before connecting the sensor. Connection strictly to the indications on the type label.

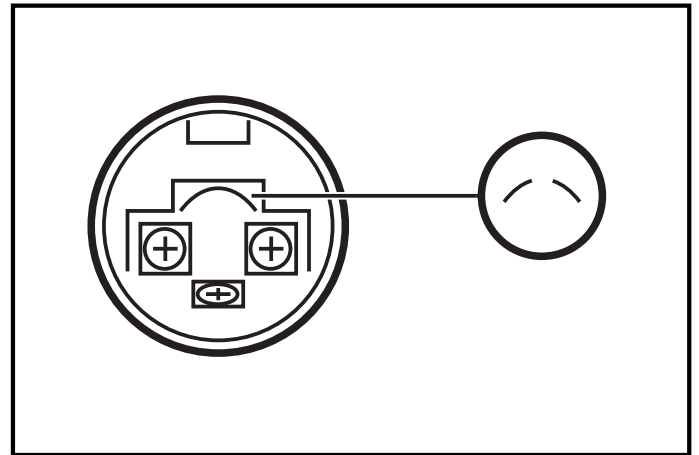
Note: insert a miniature fuse according to the technical data sheet, if specified.

Recommendation: check the unit for reliable function after a short circuit.

Programming of the output function of 2-wire-DC types (quadronorm) by wiring:

- normally open: 1/3 = L+; 2/4 = L-
- normally closed: 2/4 = L+; 1/3 = L-

Programming of the output function of AC/DC types: These units are provided in N.O. function. Open the wire link for programming the N.C. function.



UK

Operation

Check the safe functioning of the sensor. The LED is lit when the output is switched. The operation of the sensor is maintenance-free.

For perfect functioning make sure that:

- the sensing face and the open space are kept free of metal deposits and foreign bodies, particularly for installation with the sensing face facing upwards;
- EMC: The unit conforms to the requirements of EN 60947-5-2.

Scale drawing

Mounting clamp

