

## Signal duplicator - MINI MCR-BL-I-2I - 2810829


Please be informed that the data shown in this PDF Document is generated from our Online Catalog. Please find the complete data in the user's documentation. Our General Terms of Use for Downloads are valid (<http://phoenixcontact.com/download>)



MCR 4-way signal duplicator for electrical isolation and duplication of analog signals with screw connection, input signal: 4 mA ... 20 mA, output signal: 2 x 4 mA ... 20 mA



### Key Commercial Data

Packing unit	1 pc
GTIN	 4 046356 672573
GTIN	4046356672573
Weight per Piece (excluding packing)	63.000 g
Custom tariff number	85437090
Country of origin	Germany
Note	Made to Order (non-returnable)

### Technical data

#### Note

Utilization restriction	EMC: class A product, see manufacturer's declaration in the download area
-------------------------	---

#### Dimensions

Width	6.2 mm
Height	93.1 mm
Depth	102.5 mm

#### Ambient conditions

Ambient temperature (operation)	-10 °C ... 60 °C
Ambient temperature (storage/transport)	-20 °C ... 65 °C
Degree of protection	IP20
Noise immunity	EN 61000-6-2:2005

#### Input data

# Signal duplicator - MINI MCR-BL-I-2I - 2810829

## Technical data

### Input data

Number of inputs	1
Configurable/programmable	no
Current input signal	4 mA ... 20 mA
Max. input current	50 mA
Input resistance current input	approx. 50 $\Omega$

### Output data

Number of outputs	2
Current output signal	2x 4 mA ... 20 mA
Max. output current	20.5 mA
Load/output load current output	$\leq 250 \Omega$ (at 20 mA)
Ripple	$< 20 \text{ mV}_{PP}$ (at 250 $\Omega$ )

### Power supply

Nominal supply voltage	24 V DC $\pm 10 \%$
Supply voltage range	19.2 V DC ... 30 V DC
Max. current consumption	$< 30 \text{ mA}$
Power consumption	$< 600 \text{ mW}$

### Connection data

Connection method	Screw connection
Stripping length	12 mm
Screw thread	M3
Conductor cross section solid	0.2 mm <sup>2</sup> ... 2.5 mm <sup>2</sup>
Conductor cross section flexible	0.2 mm <sup>2</sup> ... 2.5 mm <sup>2</sup>
Conductor cross section AWG	26 ... 12

### General

No. of channels	2
Maximum transmission error	$\leq 0.2 \%$ (of final value)
Transmission error, typical	$< 0.1 \%$
Maximum temperature coefficient	$< 0.01 \%/K$
Temperature coefficient, typical	$< 0.004 \%/K$
Limit frequency (3 dB)	approx. 35 Hz
Step response (10-90%)	500 ms
Protective circuit	Transient protection
Electrical isolation	Basic insulation according to EN 61010
Overvoltage category	II
Degree of pollution	2
Rated insulation voltage	50 V AC/DC
Test voltage, input/output/supply	1.5 kV (50 Hz, 1 min.)
Electromagnetic compatibility	Conformance with EMC Directive 2004/108/EC
Noise emission	EN 61000-6-4

# Signal duplicator - MINI MCR-BL-I-2I - 2810829

## Technical data

### General

Noise immunity	EN 61000-6-2:2005
Color	green
Housing material	PBT
Mounting position	any
Configuration	INTERBUS
Conformance	CE-compliant
Fire protection for rail vehicles (DIN EN 45545-2) R22	HL 1 - HL 2
Fire protection for rail vehicles (DIN EN 45545-2) R23	HL 1 - HL 2
Fire protection for rail vehicles (DIN EN 45545-2) R24	HL 1 - HL 2

### Standards and Regulations

Electromagnetic compatibility	Conformance with EMC Directive 2004/108/EC
Noise emission	EN 61000-6-4
Noise immunity	EN 61000-6-2:2005
Electrical isolation	Basic insulation according to EN 61010
Conformance	CE-compliant

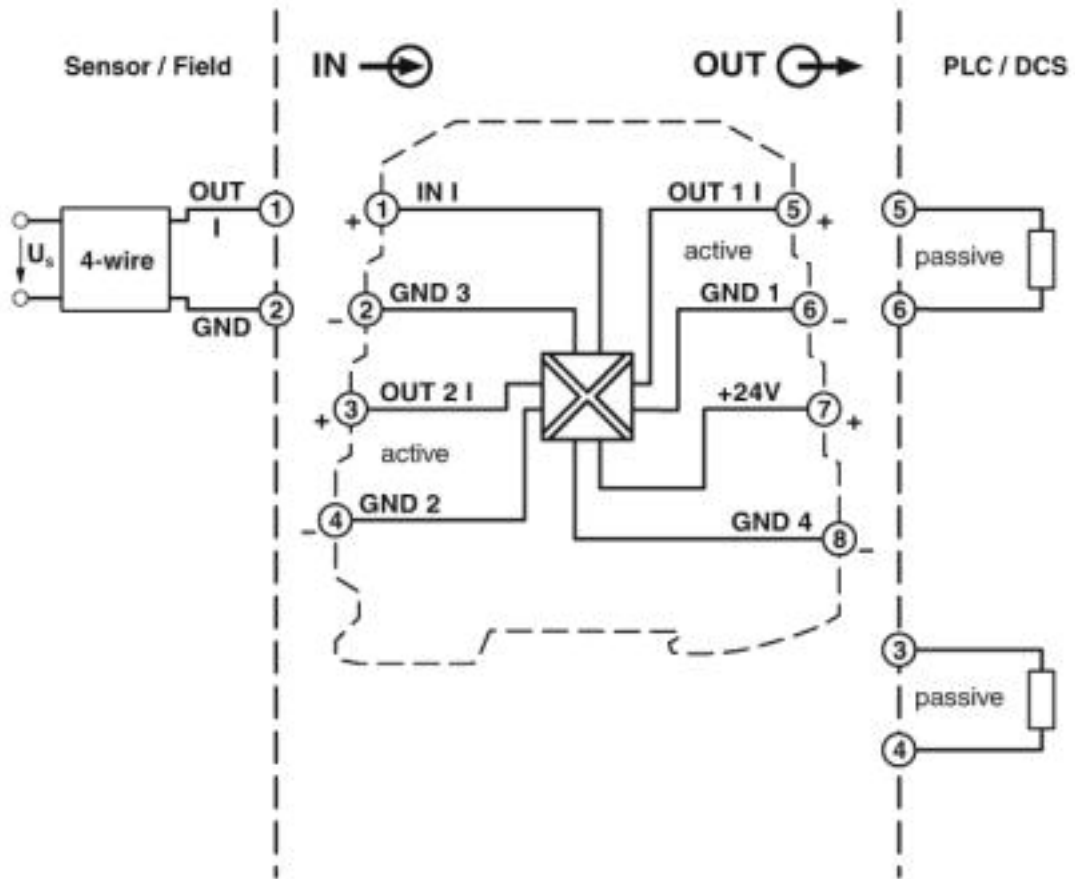
### Environmental Product Compliance

REACH SVHC	Lead 7439-92-1
China RoHS	Environmentally Friendly Use Period = 50 years
	For details about hazardous substances go to tab "Downloads", Category "Manufacturer's declaration"

## Drawings

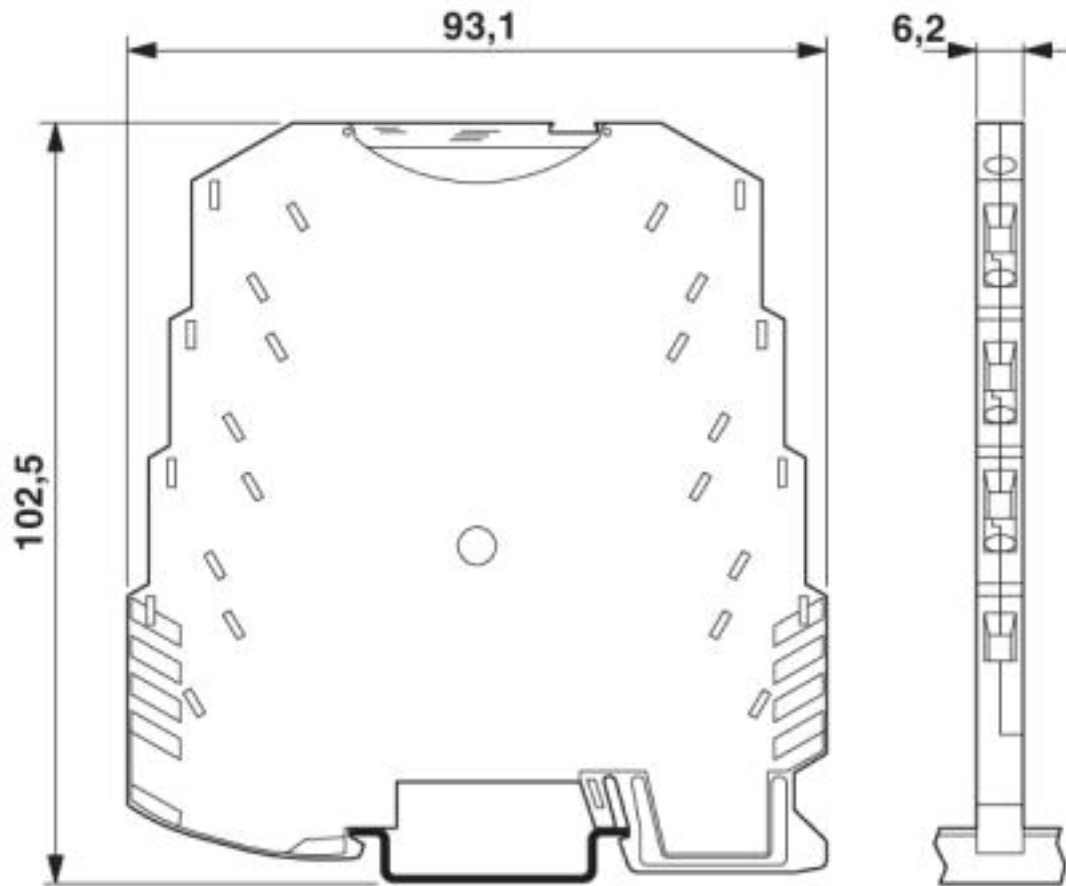
# Signal duplicator - MINI MCR-BL-I-2I - 2810829

Block diagram



# Signal duplicator - MINI MCR-BL-I-2I - 2810829

Dimensional drawing



## Classifications

eCl@ss

eCl@ss 4.0	27210100
eCl@ss 4.1	27210100
eCl@ss 5.0	27210100
eCl@ss 5.1	27210100
eCl@ss 6.0	27210100
eCl@ss 7.0	27210120
eCl@ss 8.0	27210120
eCl@ss 9.0	27210120

ETIM

ETIM 4.0	EC002653
ETIM 5.0	EC002653
ETIM 6.0	EC002653
ETIM 7.0	EC002653

## Signal duplicator - MINI MCR-BL-I-2I - 2810829

### Classifications

#### UNSPSC

UNSPSC 6.01	30211506
UNSPSC 7.0901	39121008
UNSPSC 11	39121008
UNSPSC 12.01	39121008
UNSPSC 13.2	39121008
UNSPSC 18.0	39121008
UNSPSC 19.0	39121008
UNSPSC 20.0	39121008
UNSPSC 21.0	39121008